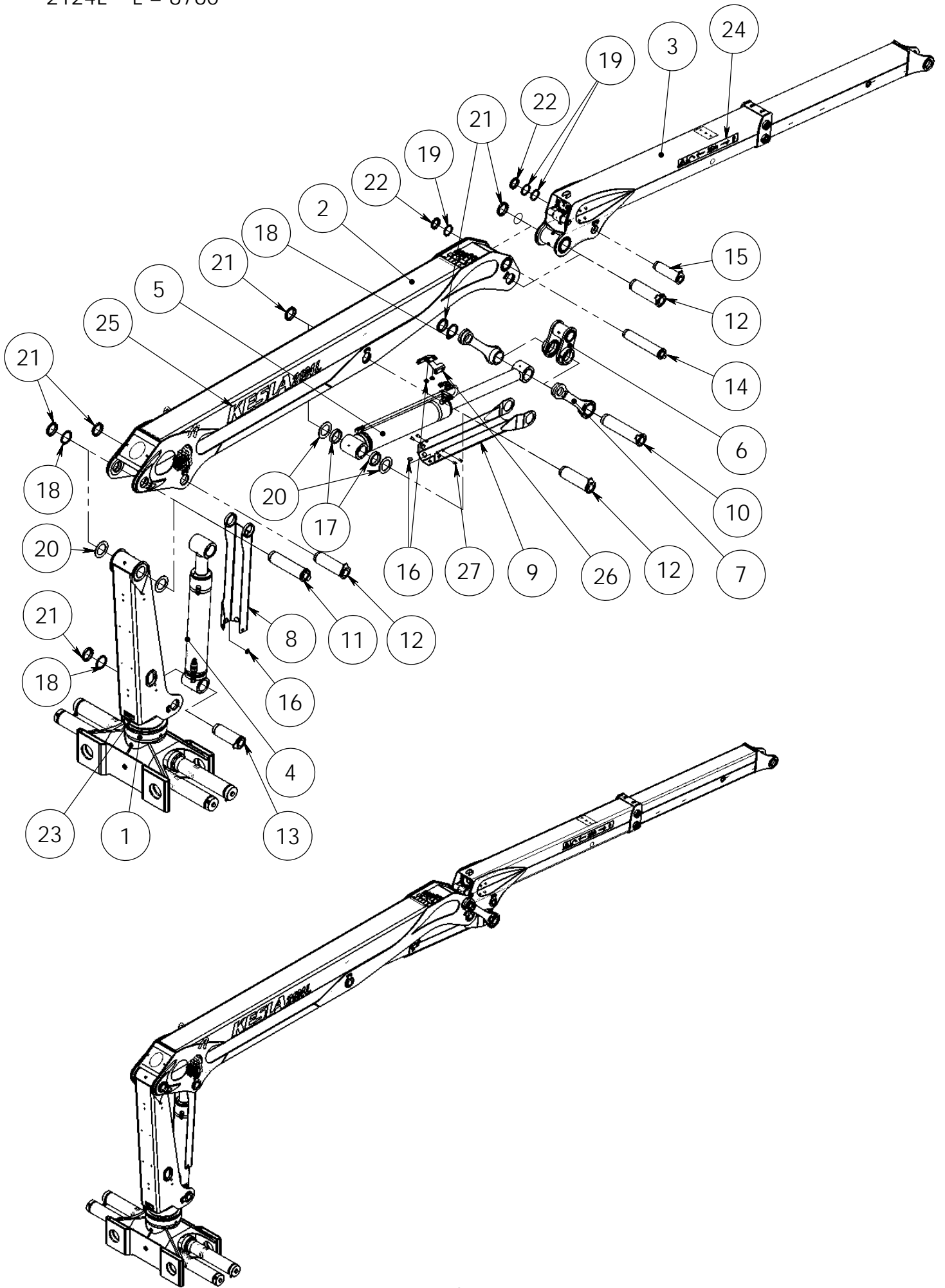


**Sisällysluettelo \ Innehållsförteckning \ Contents \ Inhaltsverzeichnis**

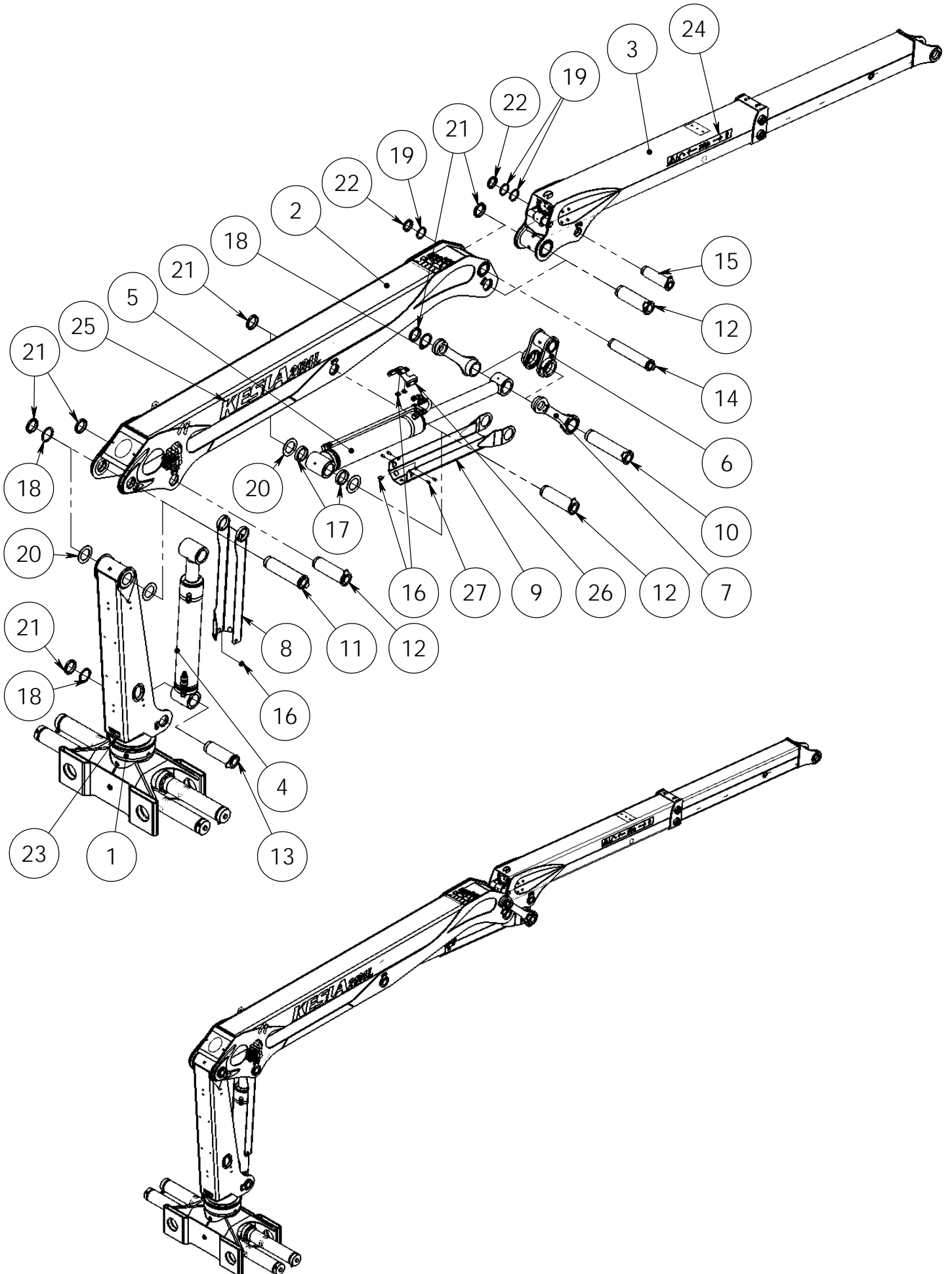
<i>Pääkokoonpano \ Sammansättning \ Final assembly \ Zusammensetzung.....</i>	<i>2</i>
<i>Kääntölaite \ Vridanordning \ Slew mechanism \ Schwenkwerk .....</i>	<i>6</i>
<i>Nostopuomi \ Lyftbom \ Main lifting boom \ Hubarm .....</i>	<i>10</i>
<i>Siirtopuomisto \ Vipparm \ Outer boom \ Knickarm .....</i>	<i>18</i>
<i>Nostosylinteri \ Lyftcylinder \ Main lifting cylinder \ Hubzylinder.....</i>	<i>24</i>
<i>Siirtosylinteri \ Vippcylinder \ Outer boom cylinder \ Knickarmzylinder .....</i>	<i>26</i>
<i>Vetotangon varustelu \ Dragstång \ Inner link assy \ Mittleres Gelenk .....</i>	<i>28</i>
<i>Tukijalkavarustus \ Stödbensutrustning \ Stabilizers \ Stützfußausrüstung .....</i>	<i>30</i>

90000391  
2124L L = 8760



Item code	90000391	Revision	-
Title	CRANE	Date	27.02.2012
Specification	2124L L= 8760		

Pos	Item code	Title	Specification	Pc	Nto Weight
1	90024068	SLEW MECHANISM	38KNM	1	830.22
2	90025282	LIFT BOOM	L=4500 CAB/OPEN	1	478.02
3	90025283	OUTER BOOM	L=4475 1-JATK	1	335.44
4	90025418	CYLINDER	160/100X855 VAR	1	132.31
5	90023542	OUTER BOOM CYLINDER	160/100X855 VAR	1	129.5
6	90020495	DRAW BAR	VAR	1	21.35
7	90024113	LINK	SIVUTANKO	2	11.16
8	90025420	COVER	RIGHT	1	15.5
9	90024110	COVER	SIIRTOSYL. SUOJA HITS	1	18.65
10	90020454	AXLE	100/M95X2-457 HITS	1	19.34
11	90024098	AXLE	100/M95X2-417 HITS	1	17.65
12	90020452	AXLE	100/M95X2-348 HITS	3	14.76
13	90020451	AXLE	100/M95X2-307 HITS	1	12.99
14	90020470	AXLE	80-450 HITS	1	12.12
15	90020764	AXLE	80/M75X2-300	1	8.07
16	90013832	GLIDE PAD	40-14	12	0.01
17	90020582	SLEEVE	125/100-25	2	0.86
18	90015230	WASHER	125/101-6	3	0.2
19	90013697	WASHER	100/81-6	3	0.13
20	90010010	BEARING	152/100,5 - 5	4	0.06
21	3020166	NUT	KM19 NYLOC M95X2	6	0.54
22	3020158	NUT	KM15 NYLOC M75X2	2	0.35
23	3281642	PLATE	120X45 CE	1	0.03
24	3281135	DECAL	VAARA-ALUE 25 M, 730X80	2	0.1
25	3281548	DECAL (PRODUCT)	KESLA 2124L	2	0.07
26	90024111	FASTENER	SIIRTOSYL. SUOJAAN	1	1.05
27	3010604	ALLEN SCREW	M12X20 8.8 DIN 912	4	0

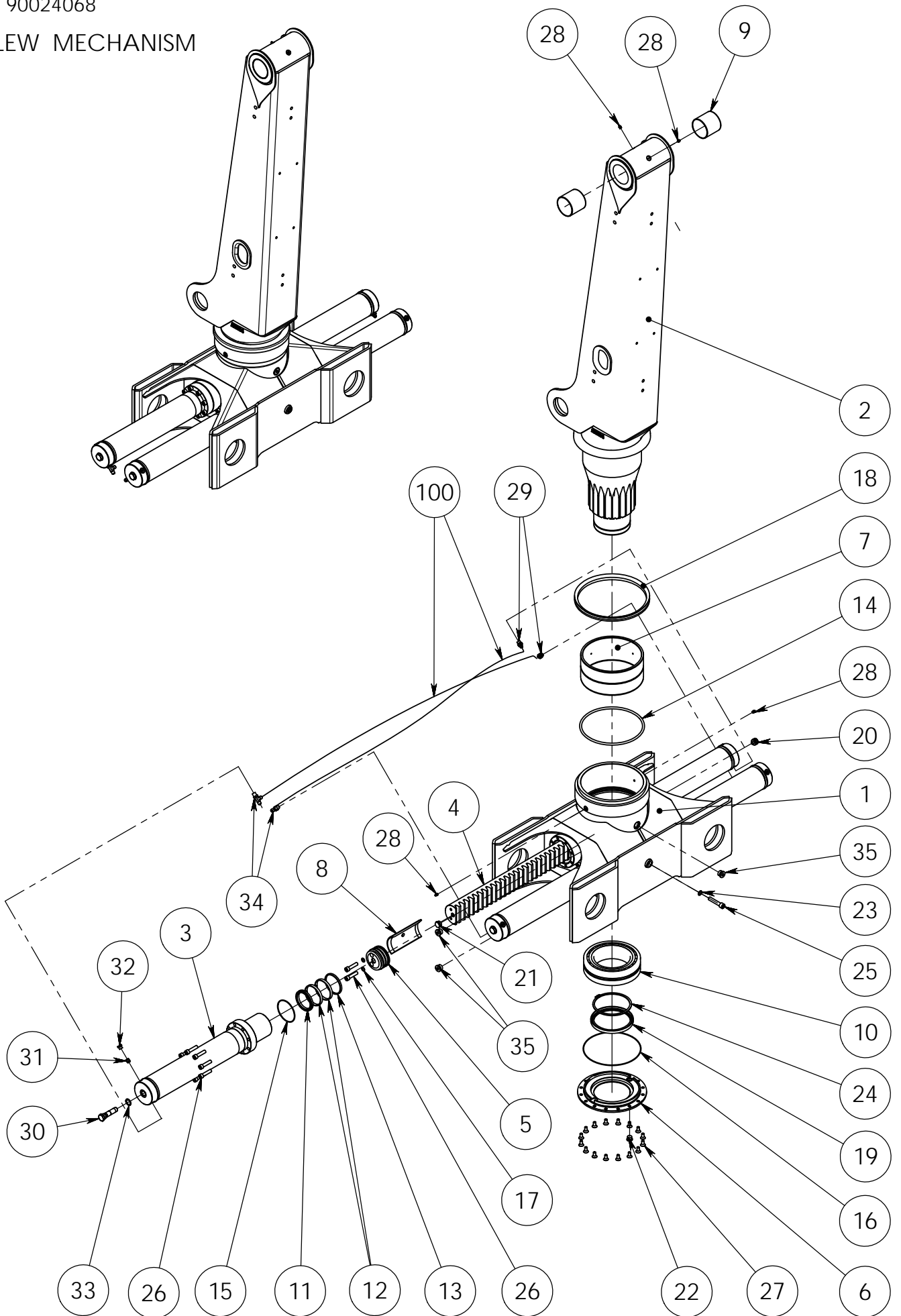


Item code	90000397	Revision	-
Title	CRANE	Date	06.11.2012
Specification	2124L L=8360		

Pos	Item code	Title	Specification	Pc	Nto Weight
1	90024068	SLEW MECHANISM	38KNM	1	830.22
2	90025855	LIFT BOOM	L=4100 CAB/OPEN	1	443.59
3	90025283	OUTER BOOM	L=4475 1-JATK	1	335.44
4	90025418	CYLINDER	160/100X855 VAR	1	132.31
5	90023542	OUTER BOOM CYLINDER	160/100X855 VAR	1	129.5
6	90020495	DRAW BAR	VAR	1	21.35
7	90024113	LINK	SIVUTANKO	2	11.16
8	90025420	COVER	RIGHT	1	15.5
9	90024110	COVER	SIIRTOSYL. SUOJA HITS	1	18.65
10	90020454	AXLE	100/M95X2-457 HITS	1	19.34
11	90024098	AXLE	100/M95X2-417 HITS	1	17.65
12	90020452	AXLE	100/M95X2-348 HITS	3	14.76
13	90020451	AXLE	100/M95X2-307 HITS	1	12.99
14	90020470	AXLE	80-450 HITS	1	12.12
15	90020764	AXLE	80/M75X2-300	1	8.07
16	90013832	GLIDE PAD	40-14	12	0.01
17	90020582	SLEEVE	125/100-25	2	0.86
18	90015230	WASHER	125/101-6	3	0.2
19	90013697	WASHER	100/81-6	3	0.13
20	90010010	BEARING	152/100,5 - 5	4	0.06
21	3020166	NUT	KM19 NYLOC M95X2	6	0.54
22	3020158	NUT	KM15 NYLOC M75X2	2	0.35
23	3281642	PLATE	120X45 CE	1	0.03
24	3281135	DECAL	VAARA-ALUE 25 M, 730X80	2	0.1
25	3281548	DECAL (PRODUCT)	KESLA 2124L	2	0.07
26	90024111	FASTENER	SIIRTOSYL. SUOJAAN	1	1.05
27	3010604	ALLEN SCREW	M12X20 8.8 DIN 912	4	0

90024068

SLEW MECHANISM



Item code	90024068	Revision	A
Title	SLEW MECHANISM	Date	22.11.2010
Specification	38KNM		

Pos	Item code	Title	Specification	Pc	Nto Weight
1	90024024	FRAME	AUTOMALLI VAR.HITS	1	275.74
2	90024066	PILLAR	L=1625	1	337.63
3	90024047	CYLINDER		4	23.17
4	90024048	RACK BAR		2	40
5	90024042	PISTON		4	3.43
6	90020387	FLANGE		1	6.25
7	90020401	BEARING	310/290-140	1	1.49
8	90024051	BEARING		2	0.22
9	3100176	BUSHING	WB 802 10095	2	0.6
10	3100345	ROLLER BEARING	23036 CC/W33	1	13
11	3110194	PISTON SEAL	T18 110/90X12.2	4	0.24
12	3110566	PISTON GUIDE	E/PWR 110/104X13	8	0.1
13	3110567	WIPER SEAL	PPW 110/101.4X5.3	4	0.07
14	3110964	O-RING	300x10 70 SHORE	1	0.6
15	3110400	O-RING	114.5X3.0 90 SHORE	4	0.02
16	3110785	O-RING	280X3.0 70 SHORE	1	0.05
17	3110652	USIT-SEAL	M14 14.7X21.0X1.5	8	0
18	3110869	SEAL	VA-350	1	1.93
19	3110870	SEAL	180/210 X 15 DIN 3760 AS	1	0.59
20	3091042	BREATHER		1	0.11
21	3090294	OIL LEVEL INDICATOR		1	0.01
22	3090212	PLUG		1	0.05
23	3110040	USIT-SEAL	R-06 R 3/8"	2	0
24	3060097	SNAP RING	180X4 DIN 471	1	0
25	3010668	ALLEN SCREW	M16X80 8.8 DIN 912	2	0
26	3010601	ALLEN SCREW	M14X60 12.9 DIN 912	40	0
27	3010315	ALLEN SCREW	M12X25 10.9 ZN DIN 7991	16	0
28	3050020	GREASE NIPPLE	R 1/8" ZN	4	0.01
29	3090901	CONNECTOR	6010-06-06	2	0.05
30	90023662	DAMPER	D=21,8	4	0.31
31	3120363	CHECK VALVE		4	0.02
32	3090210	PLUG		4	0.03
33	3110130	USIT-SEAL	R-12 R 3/4"	4	0.01
34	3091285	CONNECTOR	29-6810060606 JIC	2	0.14
35	3090209	PLUG		3	0.08
100	3132920	HYDRAULIC HOSE	A50005-06-06/241T-06/A50054-06-06/L=1900 TEX	2	0

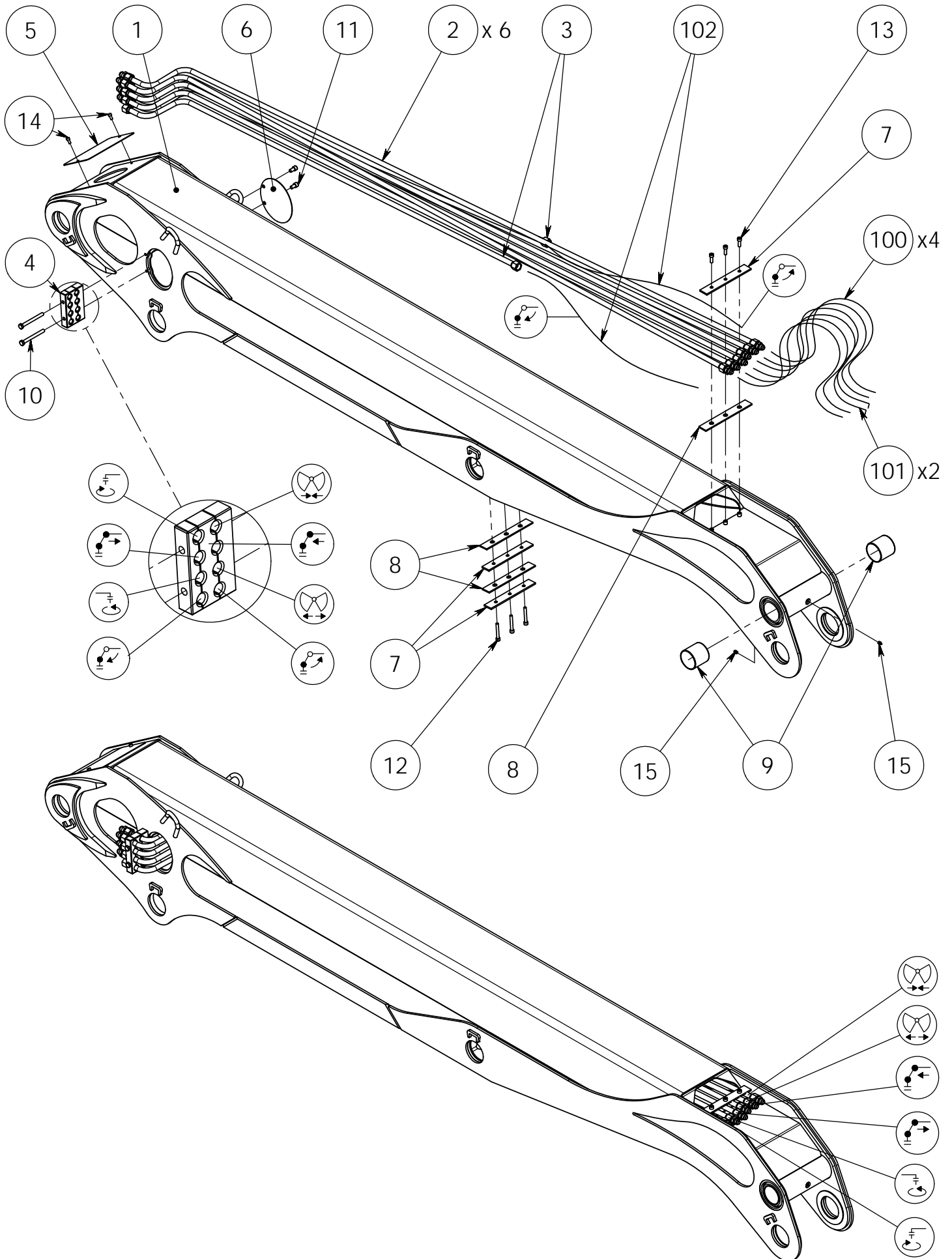
Item code	90024068	Revision	-
Title	SLEW MECHANNISM	Date	22.11.2010
Specification	38KNM		

Pos	Item code	Title	Specification	Pc	Nto Weight
37	3090210	PLUG		4	0.03
38	3091285	CONNECTOR	29-6810060606 JIC	2	0.14
39	3090209	PLUG		3	0.08
100	3132920	HYDRAULIC HOSE	A50005-06-06/241T-06/A50054-06-06/L=1900	4	0



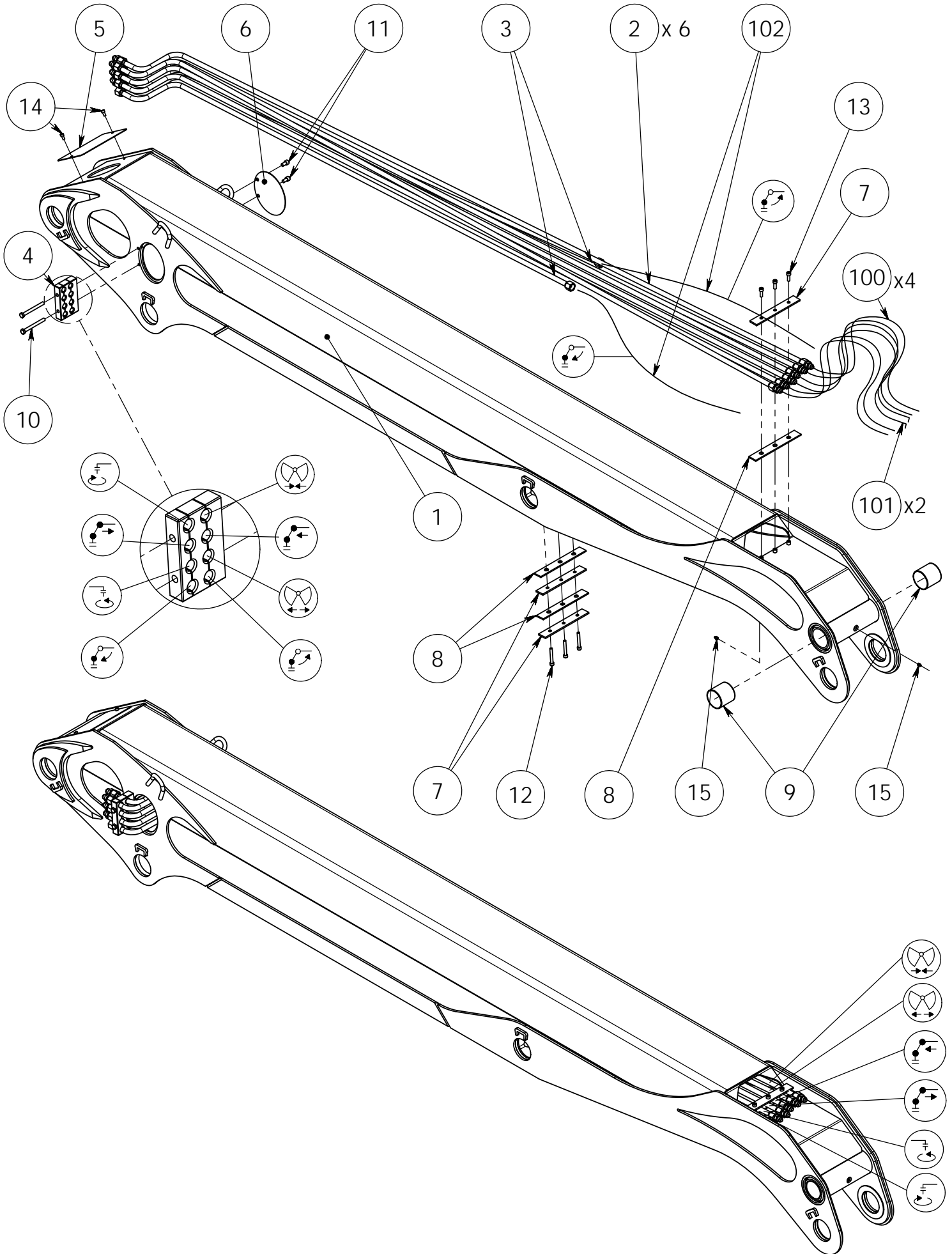


90025855  
2124L L=4100



Item code	90025855	Revision	-
Title	LIFT BOOM	Date	05.11.2012
Specification	L=4100 CAB/OPEN		

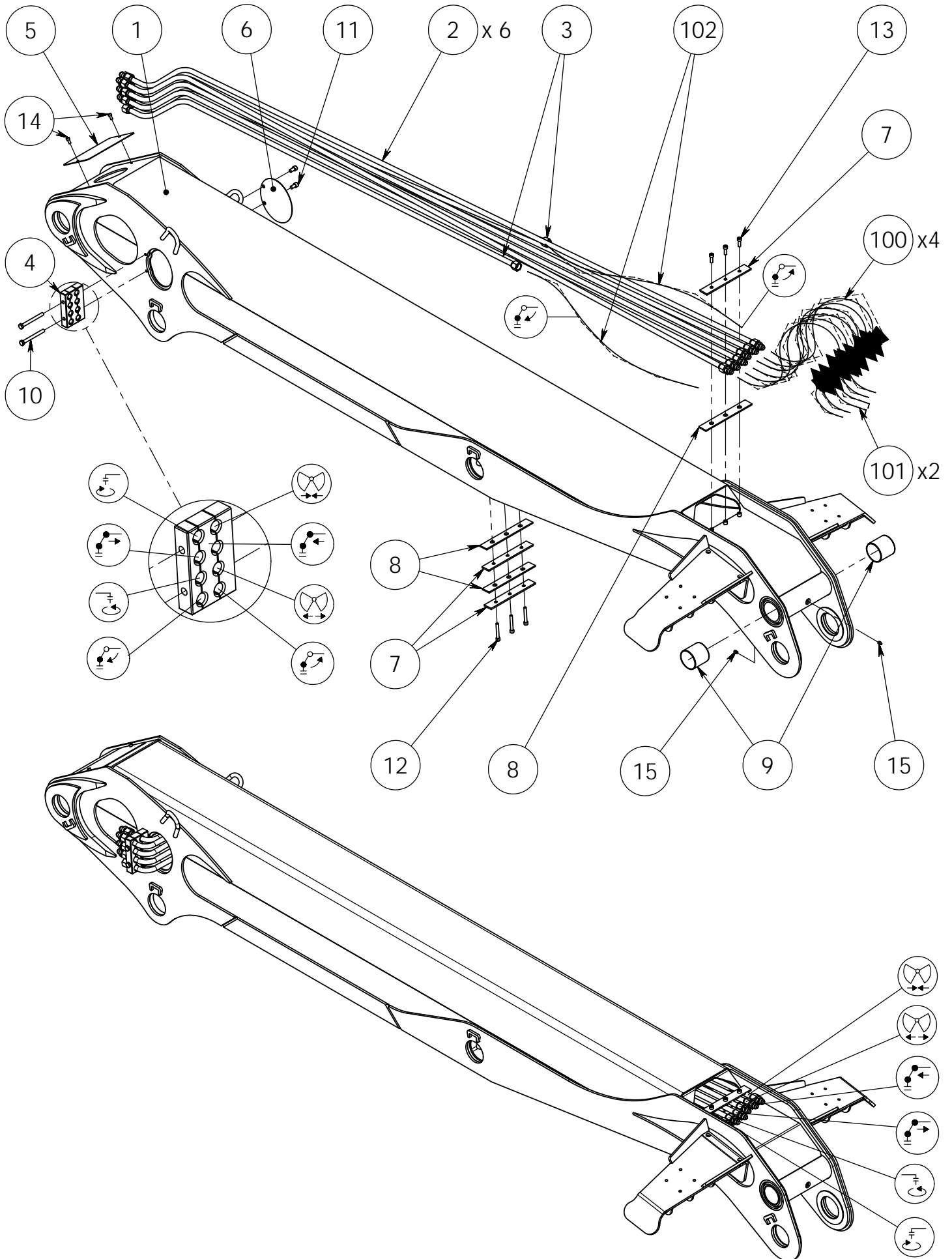
Pos	Item code	Title	Specification	Pc	Nto Weight
1	90025851	LIFT BOOM	L=4100	1	408.55
2	90024447	HYDRAULIC PIPE	1 KOK	6	4.18
3	90024449	HYDRAULIC PIPE	2 KOK	2	2.63
4	90023439	FASTENER		1	1.07
5	90023441	COVER		1	0.76
6	90025045	COVER		1	0.44
7	90018750	FASTENER		3	0.46
8	90020626	RUBBER	5X40-265	3	0.07
9	3100187	BUSHING	WB 802 8080	2	0.41
10	3010122	HEW SCREW	M12X120 8.8 ZN DIN 931	2	0
11	3010604	ALLEN SCREW	M12X20 8.8 DIN 912	2	0
12	3010274	ALLEN SCREW	M10X70 8.8 ZN DIN 912	3	0
13	3010248	ALLEN SCREW	M10X30 8.8 ZN DIN 912	3	0
14	3010292	ALLEN SCREW	M8X16 8.8 ZN DIN 912	2	0
15	3050020	GREASE NIPPLE	R 1/8" ZN	2	0.01
100	3132799	HYDRAULIC HOSE	5705-10-08/HI-84-08/5705-10-08/L=1100	4	
101	3132800	HYDRAULIC HOSE	5705-10-08/HI-84-08/5754-10-08/L=1100	2	
102	3132801	HYDRAULIC HOSE	5720-12-12/712L-12/5720-12-12/L=1000	2	



Item code	90025282	Revision	-
Title	LIFT BOOM	Date	09.01.2012
Specification	L=4500 CAB/OPEN QC		

Pos	Item code	Title	Specification	Pc	Nto Weight
1	90025226	LIFT BOOM	L=4500 QC	1	436.15
2	90023436	HYDRAULIC PIPE	1 KOK	6	5.01
3	90023438	HYDRAULIC PIPE	2 KOK	2	3.46
4	90023439	FASTENER		1	1.07
5	90023441	COVER		1	0.76
6	90025045	COVER		1	0.44
7	90018750	FASTENER		3	0.46
8	90020626	RUBBER	5X40-265	3	0.07
9	3100187	BUSHING	WB 802 8080	2	0.41
10	3010122	HEW SCREW	M12X120 8.8 ZN DIN 931	2	0
11	3010604	ALLEN SCREW	M12X20 8.8 DIN 912	2	0
12	3010274	ALLEN SCREW	M10X70 8.8 ZN DIN 912	3	0
13	3010248	ALLEN SCREW	M10X30 8.8 ZN DIN 912	3	0
14	3010292	ALLEN SCREW	M8X16 8.8 ZN DIN 912	2	0
15	3050020	GREASE NIPPLE	R 1/8" ZN	2	0.01
100	3132799	HYDRAULIC HOSE	5705-10-08/HI-84-08/5705-10-08/L=1100	4	
101	3132800	HYDRAULIC HOSE	5705-10-08/HI-84-08/5754-10-08/L=1100	2	
102	3132801	HYDRAULIC HOSE	5720-12-12/712L-12/5720-12-12/L=1000	2	

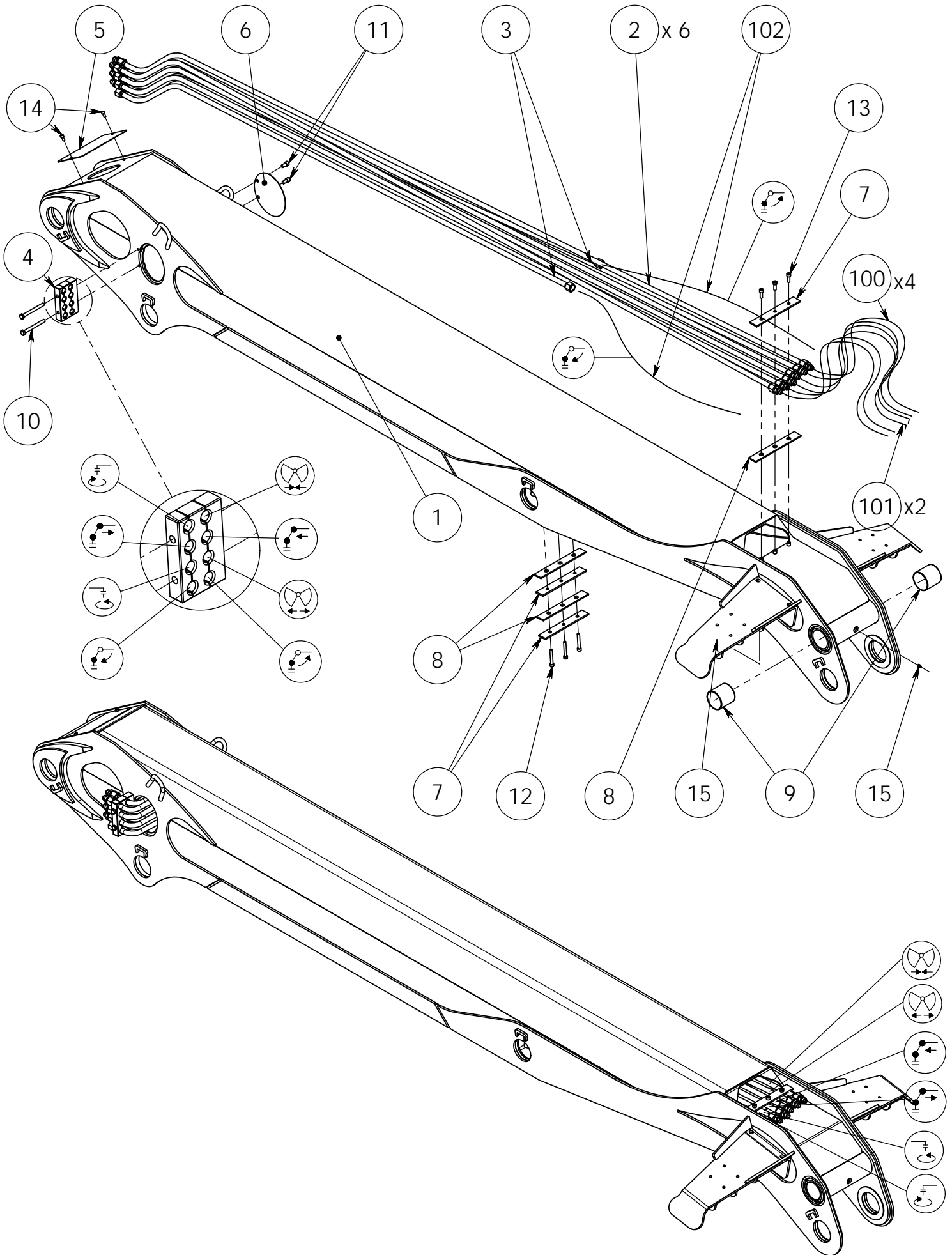
90026286  
2124L L=4100



Item code	90026286	Revision	-
Title	LIFT BOOM	Date	10.04.2013
Specification	L=4100 CAB/OPEN		

Pos	Item code	Title	Specification	Pc	Nto Weight
1	90026284	LIFT BOOM	L=4100	1	446.63
2	90024447	HYDRAULIC PIPE	1 KOK	6	4.18
3	90024449	HYDRAULIC PIPE	2 KOK	2	2.63
4	90023439	FASTENER		1	1.07
5	90023441	COVER		1	0.76
6	90025045	COVER		1	0.44
7	90018750	FASTENER		3	0.46
8	90020626	RUBBER	5X40-265	3	0.07
9	3100187	BUSHING	WB 802 8080	2	0.41
10	3010122	HEW SCREW	M12X120 8.8 ZN DIN 931	2	0
11	3010604	ALLEN SCREW	M12X20 8.8 DIN 912	2	0
12	3010274	ALLEN SCREW	M10X70 8.8 ZN DIN 912	3	0
13	3010248	ALLEN SCREW	M10X30 8.8 ZN DIN 912	3	0
14	3010292	ALLEN SCREW	M8X16 8.8 ZN DIN 912	2	0
15	3050020	GREASE NIPPLE	R 1/8" ZN	2	0.01
100	3132799	HYDRAULIC HOSE	5705-10-08/HI-84-08/5705-10-08/L=1100	4	
101	3132800	HYDRAULIC HOSE	5705-10-08/HI-84-08/5754-10-08/L=1100	2	
102	3132801	HYDRAULIC HOSE	5720-12-12/712L-12/5720-12-12/L=1000	2	

90026285  
2124L L=4500



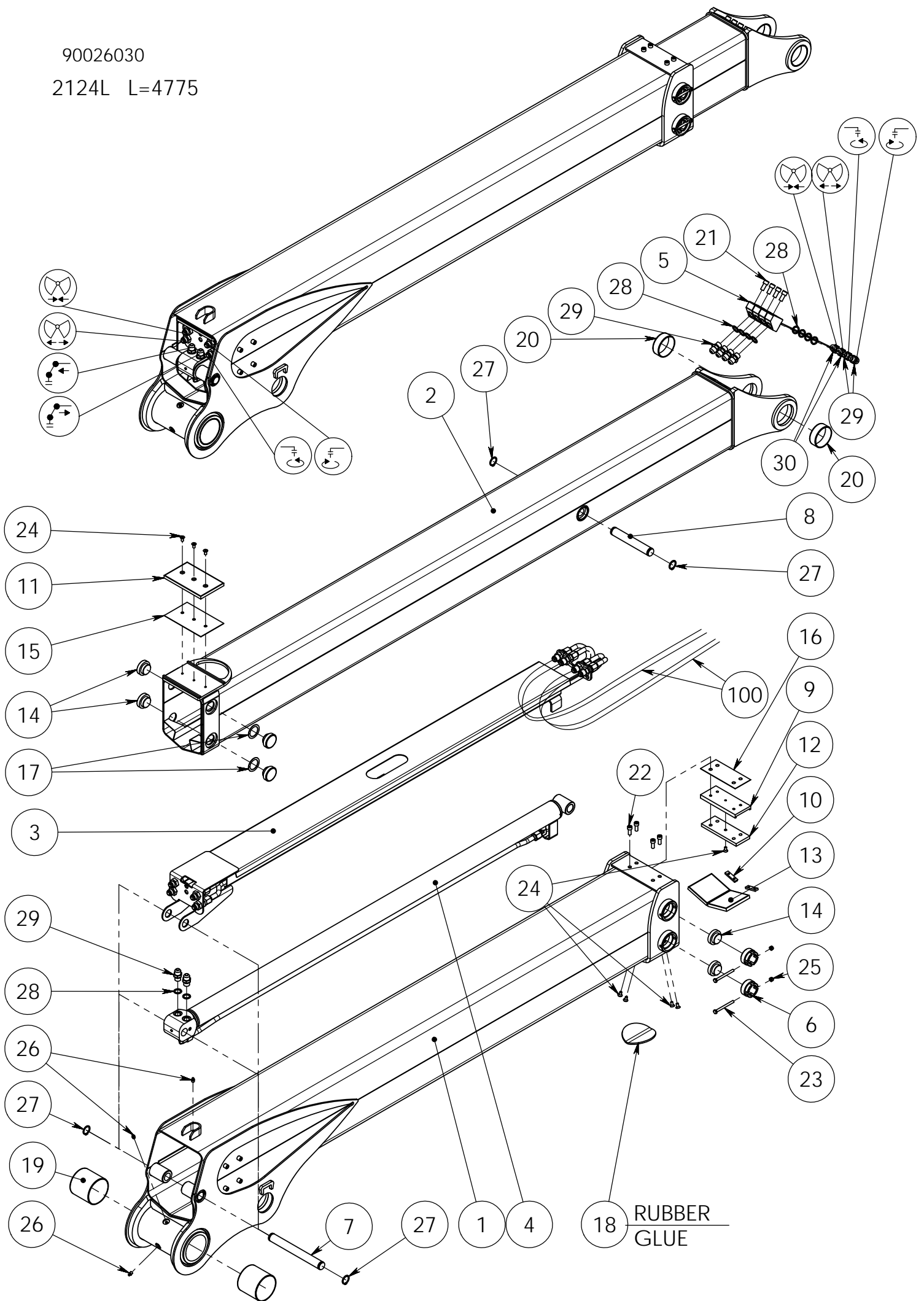


Item code	90026285	Revision	-
Title	LIFT BOOM	Date	10.04.2013
Specification	L=4500 CAB/OPEN		

Pos	Item code	Title	Specification	Pc	Nto Weight
1	90026271	LIFT BOOM	L=4500	1	474.42
2	90023436	HYDRAULIC PIPE	1 KOK	6	5.01
3	90023438	HYDRAULIC PIPE	2 KOK	2	3.46
4	90023439	FASTENER		1	1.07
5	90023441	COVER		1	0.76
6	90025045	COVER		1	0.44
7	90018750	FASTENER		3	0.46
8	90020626	RUBBER	5X40-265	3	0.07
9	3100187	BUSHING	WB 802 8080	2	0.41
10	3010122	HEW SCREW	M12X120 8.8 ZN DIN 931	2	0
11	3010604	ALLEN SCREW	M12X20 8.8 DIN 912	2	0
12	3010274	ALLEN SCREW	M10X70 8.8 ZN DIN 912	3	0
13	3010248	ALLEN SCREW	M10X30 8.8 ZN DIN 912	3	0
14	3010292	ALLEN SCREW	M8X16 8.8 ZN DIN 912	2	0
15	3050020	GREASE NIPPLE	R 1/8" ZN	2	0.01
100	3132799	HYDRAULIC HOSE	5705-10-08/HI-84-08/5705-10-08/L=1100	4	
101	3132800	HYDRAULIC HOSE	5705-10-08/HI-84-08/5754-10-08/L=1100	2	
102	3132801	HYDRAULIC HOSE	5720-12-12/712L-12/5720-12-12/L=1000	2	

90026030

2124L L=4775

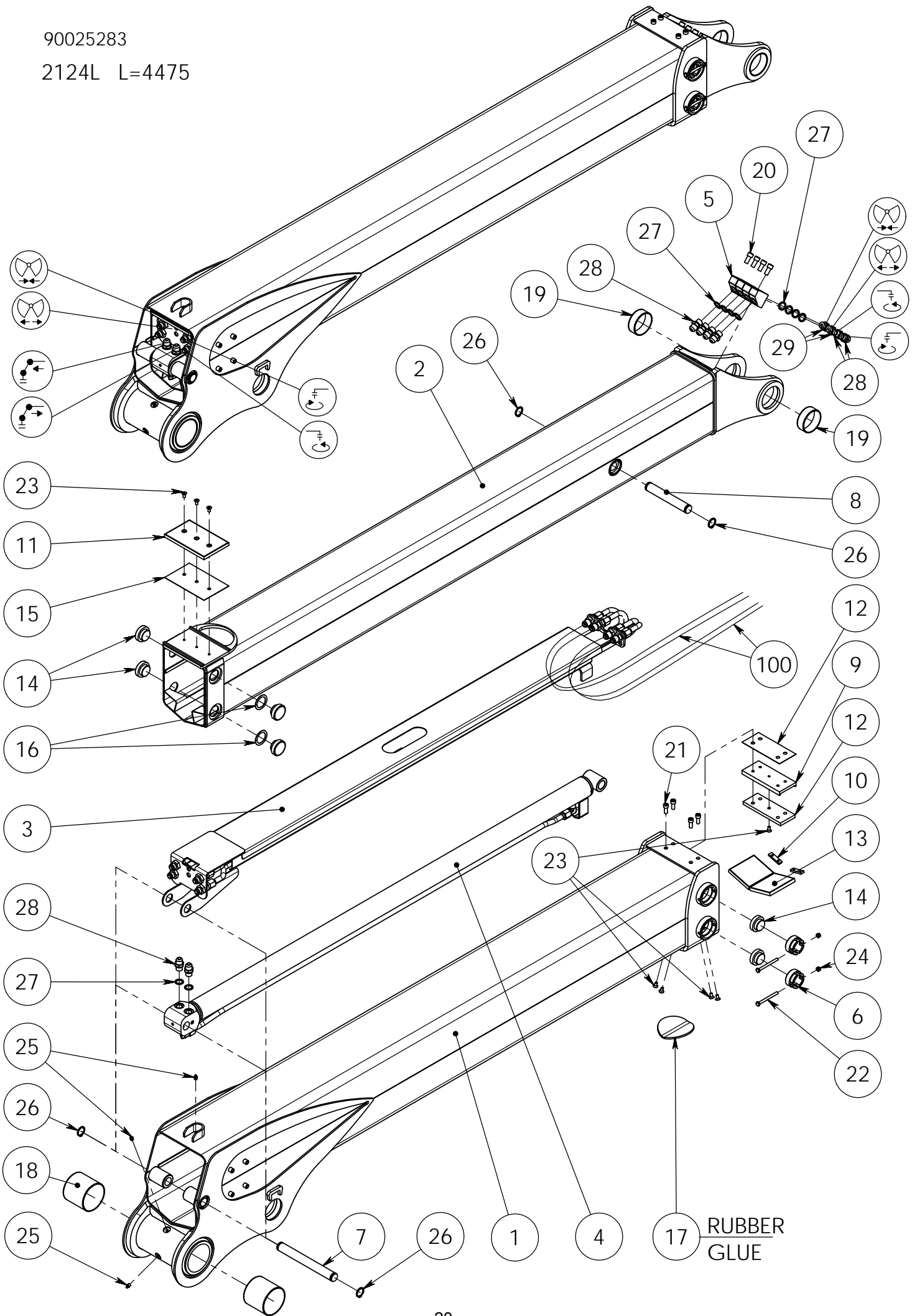


Item code	90026030	Revision	-
Title	OUTER BOOM	Date	14.01.2013
Specification	L=4775		

Pos	Item code	Title	Specification	Pc	Nto Weight
1	90025258	OUTER BOOM	L=2500 HITS	1	161.71
2	90026027	EXTENSION	L=3010	1	103.92
3	90023477	GUIDANCE	LETKUNOHJAIN VAR	1	25.57
4	28764001	CYLINDER	63/36X1700	1	40.24
5	90023481	CONNECTOR	R 1/2"	4	0.51
6	90016090	FASTENER		4	0.35
7	90023478	AXLE	30X264	1	1.46
8	90021934	AXLE	30X196	1	1.08
9	90020556	FASTENER	L-180	1	1.18
10	90010345	HOLDER		2	0.03
11	90020561	GLIDE PAD	120X190	1	0.31
12	90020563	GLIDE PAD	70X180	1	0.17
13	90020562	GLIDE PAD	120X100	2	0.17
14	90021097	GLIDE PAD	40X55-14X12	8	0.06
15	90020566	PLATE	119X190	1	0.18
16	90020567	PLATE	80X180	1	0.11
17	21039422	SHIM	1XD=55	2	0.01
18	90025837	RUBBER PLATE		1	0.48
19	3100176	BUSHING	WB 802 10095	2	0.6
20	3100422	BUSHING	WB 802 8030	2	0.15
21	3010239	ALLEN SCREW	M12X25 8.8 ZN DIN 912	4	0
22	3010685	ALLEN SCREW	M10X25 8.8 ZN DIN 912	4	0
23	3010328	HEW SCREW	M8X90 8.8 ZN DIN 931	4	0
24	3010190	ALLEN SCREW	M8X16 10.9 DIN 7991	8	0
25	3020001	NUT	M8 ZN DIN 985	4	0.01
26	3050020	GREASE NIPPLE	R 1/8" ZN	3	0.01
27	3060092	SNAP RING	AS 30X2 ZN DIN 471	4	0
28	3110042	USIT-SEAL	R-08 R 1/2"	10	0.01
29	3090917	CONNECTOR (STRAIGHT)	26-040010810 R 1/2" -7/8"JIC	8	0.11
30	3090965	CONNECTOR	6010-08-06	2	0.09
100	3133272	HYDRAULIC HOSE	A50005-10-08/241X-08/A50005-10-08/L=3100	4	

90025283

2124L L=4475

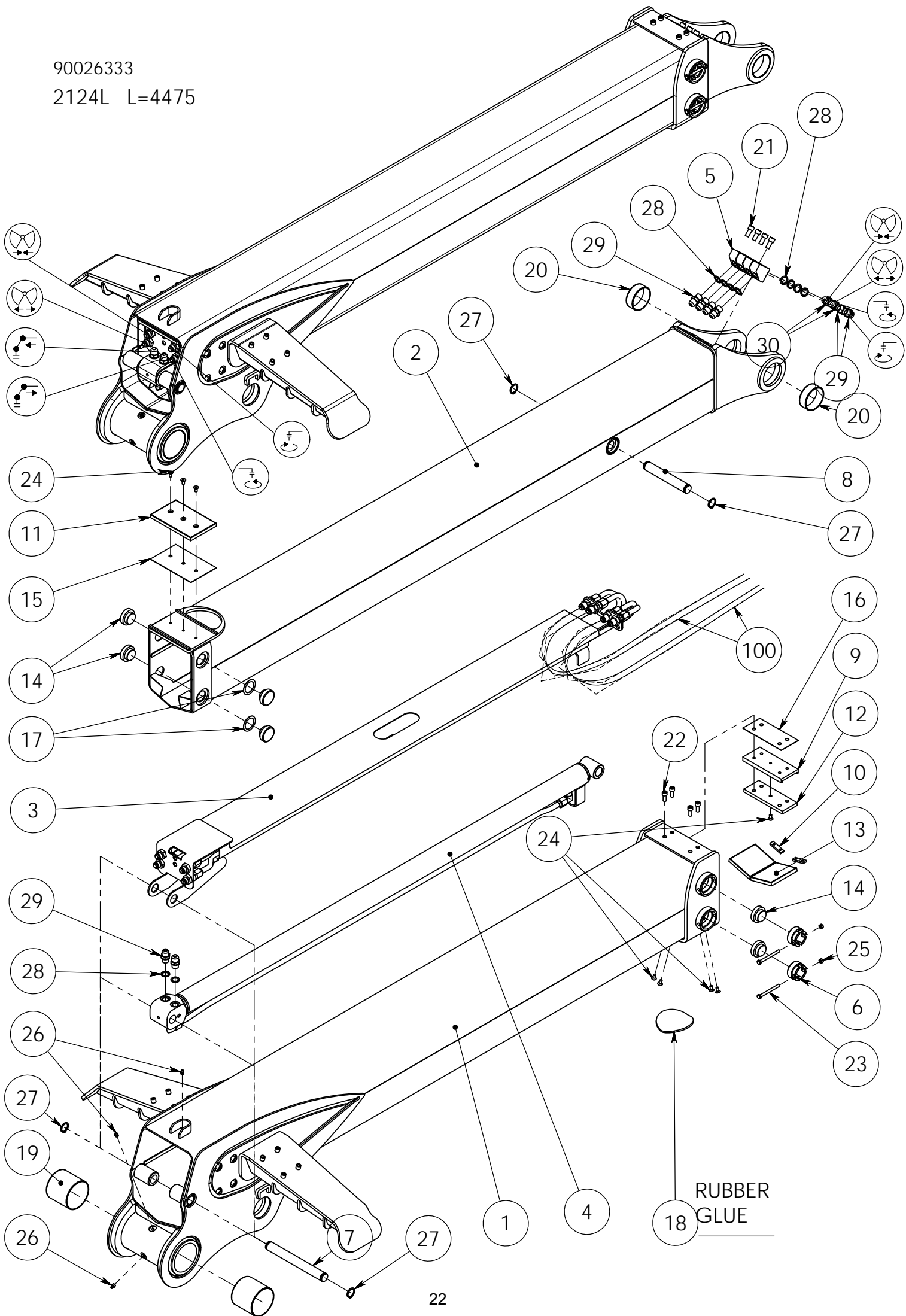


Item code	90025283	Revision	A
Title	OUTER BOOM	Date	09.01.2012
Specification	L=4475 1-JATK		

Pos	Item code	Title	Specification	Pc	Nto Weight
1	90025258	OUTER BOOM	L=2500 HITS	1	161.71
2	90023462	EXTENSION	L=2710	1	95.9
3	90023477	GUIDANCE	LETKUNOHJAIN VAR	1	25.57
4	28764001	CYLINDER	63/36X1700	1	40.24
5	90023481	CONNECTOR	R 1/2"	4	0.51
6	90016090	FASTENER		4	0.35
7	90023478	AXLE	30X264	1	1.46
8	90021934	AXLE	30X196	1	1.08
9	90020556	FASTENER	L-180	1	1.18
10	90010345	HOLDER		2	0.03
11	90020561	GLIDE PAD	120X190	1	0.31
12	90020563	GLIDE PAD	70X180	1	0.17
13	90020562	GLIDE PAD	120X100	2	0.17
14	90021097	GLIDE PAD	40X55-14X12	8	0.06
15	90020566	PLATE	119X190	1	0.18
16	90020567	PLATE	80X180	1	0.11
17	21039422	SHIM	1XD=55	2	0.01
18	90025837	RUBBER PLATE		1	0.48
19	3100176	BUSHING	WB 802 10095	2	0.6
20	3100422	BUSHING	WB 802 8030	2	0.15
21	3010239	ALLEN SCREW	M12X25 8.8 ZN DIN 912	4	0
22	3010685	ALLEN SCREW	M10X25 8.8 ZN DIN 912	4	0
23	3010328	HEW SCREW	M8X90 8.8 ZN DIN 931	4	0
24	3010190	ALLEN SCREW	M8X16 10.9 DIN 7991	8	0
25	3020001	NUT	M8 ZN DIN 985	4	0.01
26	3050020	GREASE NIPPLE	R 1/8" ZN	3	0.01
27	3060092	SNAP RING	AS 30X2 ZN DIN 471	4	0
28	3110042	USIT-SEAL	R-08 R 1/2"	10	0.01
29	3090917	CONNECTOR (STRAIGHT)	26-040010810 R 1/2" -7/8"JIC	8	0.11
30	3090965	CONNECTOR	6010-08-06	2	0.09
100	3132798	HYDRAULIC HOSE	5705-10-08/241X-08/5705-10-08/L=2800	4	

90026333

2124L L=4475

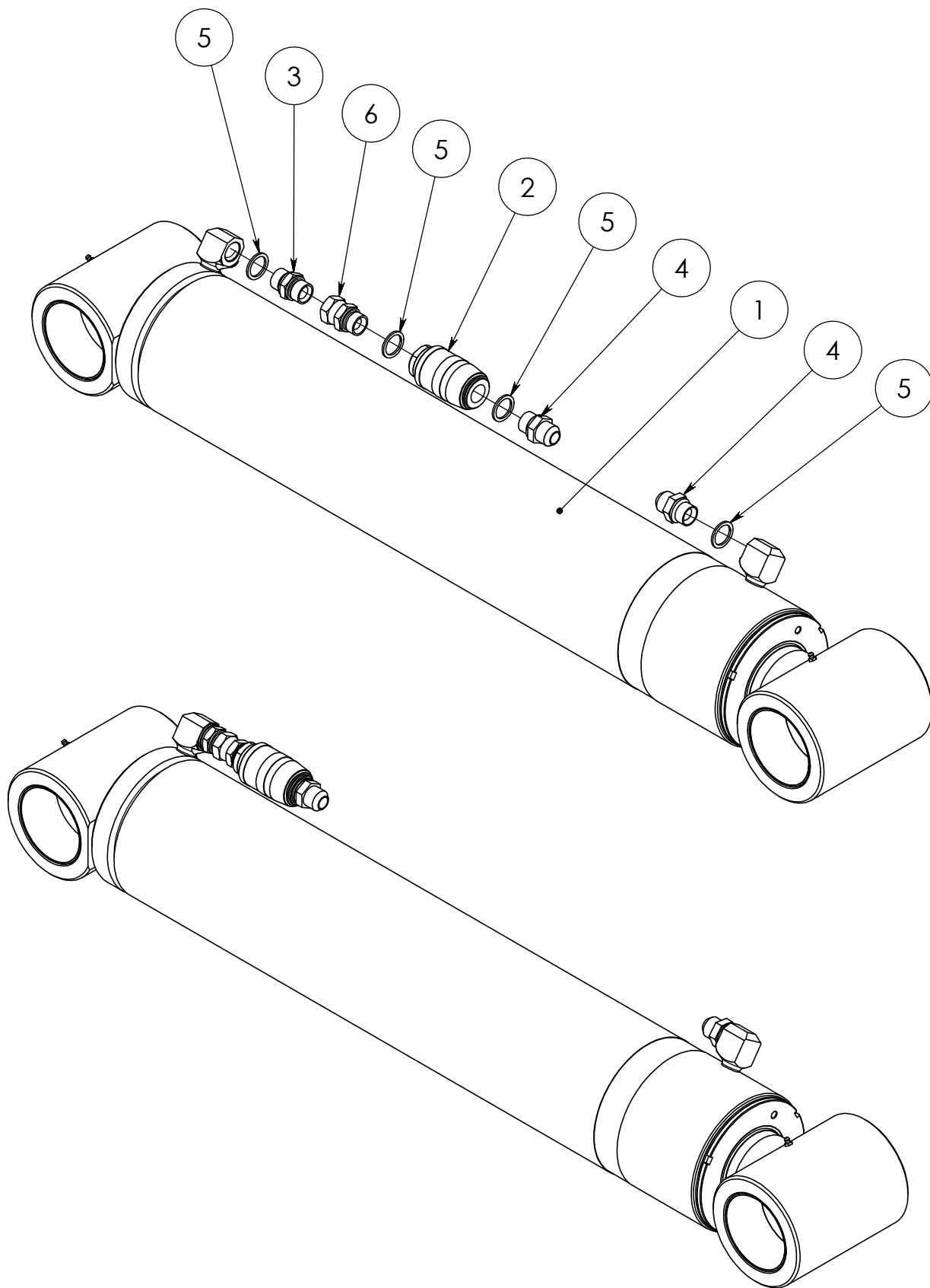


Item code	90026333	Revision	-
Title	OUTER BOOM	Date	24.04.2013
Specification	L=4475		

Pos	Item code	Title	Specification	Pc	Nto Weight
1	90026320	OUTER BOOM	L=2500	1	201.47
2	90023462	EXTENSION	L=2710	1	95.88
3	90023477	GUIDANCE	LETKUNOHJAIN VAR	1	25.57
4	28764001	CYLINDER	63/36X1700	1	40.24
5	90023481	CONNECTOR	R 1/2"	4	0.51
6	90016090	FASTENER		4	0.35
7	90023478	AXLE	30X264	1	1.46
8	90021934	AXLE	30X196	1	1.08
9	90020556	FASTENER	L-180	1	1.18
10	90010345	HOLDER		2	0.03
11	90020561	GLIDE PAD	120X190	1	0.31
12	90020563	GLIDE PAD	70X180	1	0.17
13	90020562	GLIDE PAD	120X100	2	0.17
14	90021097	GLIDE PAD	40X55-14X12	8	0.06
15	90020566	PLATE	119X190	1	0.18
16	90020567	PLATE	80X180	1	0.11
17	21039422	SHIM	1XD=55	2	0.01
18	90025837	RUBBER PLATE		1	0.48
19	3100176	BUSHING	WB 802 10095	2	0.6
20	3100422	BUSHING	WB 802 8030	2	0.15
21	3010239	ALLEN SCREW	M12X25 8.8 ZN DIN 912	4	0
22	3010685	ALLEN SCREW	M10X25 8.8 ZN DIN 912	4	0
23	3010328	HEW SCREW	M8X90 8.8 ZN DIN 931	4	0
24	3010190	ALLEN SCREW	M8X16 10.9 DIN 7991	8	0
25	3020001	NUT	M8 ZN DIN 985	4	0.01
26	3050020	GREASE NIPPLE	R 1/8" ZN	3	0.01
27	3060092	SNAP RING	AS 30X2 ZN DIN 471	4	0
28	3110042	USIT-SEAL	R-08 R 1/2"	10	0.01
29	3090917	CONNECTOR (STRAIGHT)	26-040010810 R 1/2" -7/8"JIC	8	0.11
30	3090965	CONNECTOR	6010-08-06	2	0.09
100	3132798	HYDRAULIC HOSE	5705-10-08/241X-08/5705-10-08/L=2800	4	

90023547

# SYLINTERI



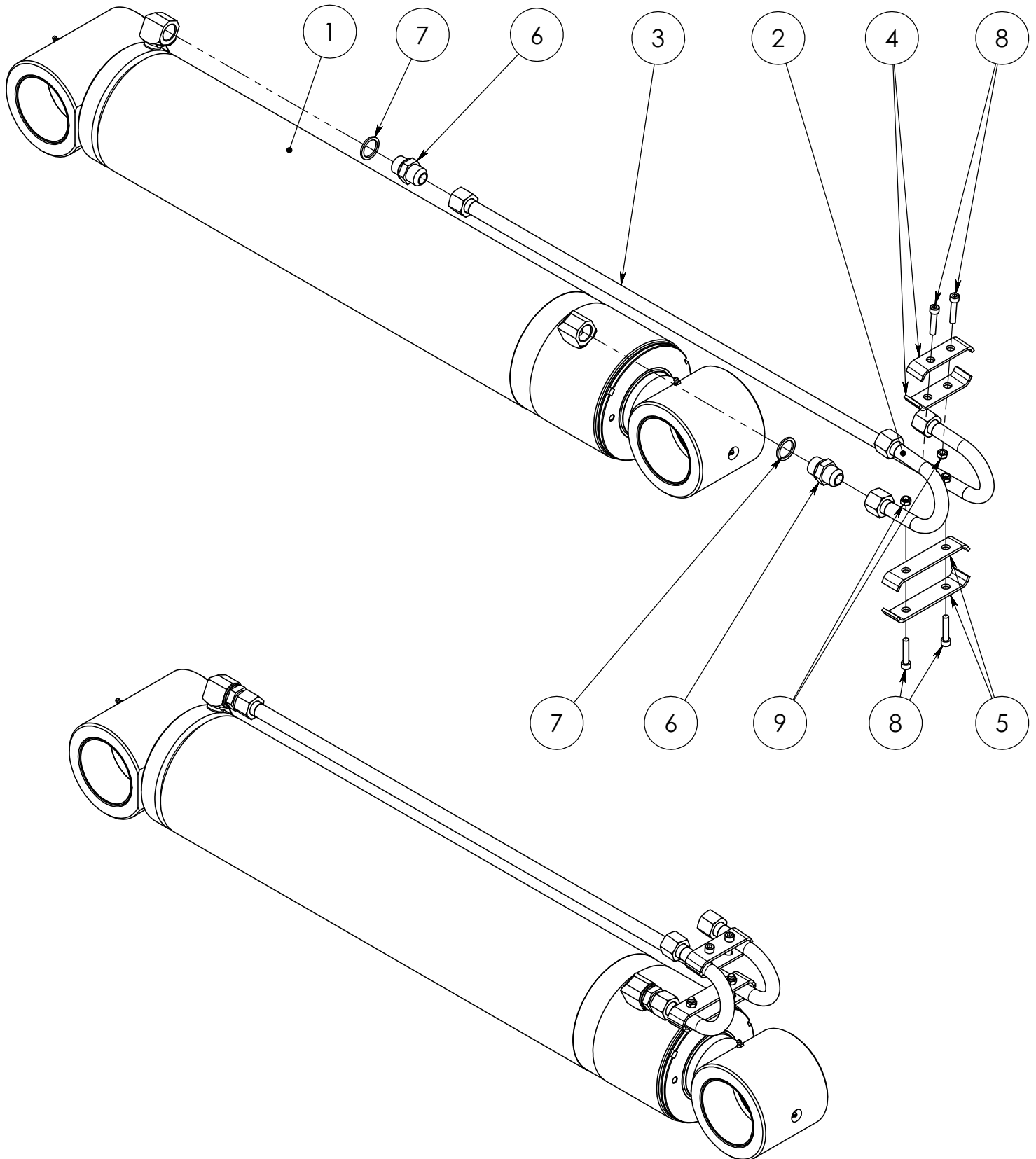


Item code	90023547	Revision	-
Title	CYLINDER	Date	29.04.2010
Specification	160/100X855 VAR		

Pos	Item code	Title	Specification	Pc	Nto Weight
1	28762001	CYLINDER	160/100X855	1	169.55
2	3120235	VALVE		1	1.24
3	3090185	CONNECTOR	04000-12	1	0.14
4	3090918	CONNECTOR	R 3/4" -1 1/16" JIC 26-04001-12-12	2	0.16
5	3110130	SEAL	R-12 R 3/4"	4	0.01
6	3090216	CONNECTOR	04010-12-12	1	0.19

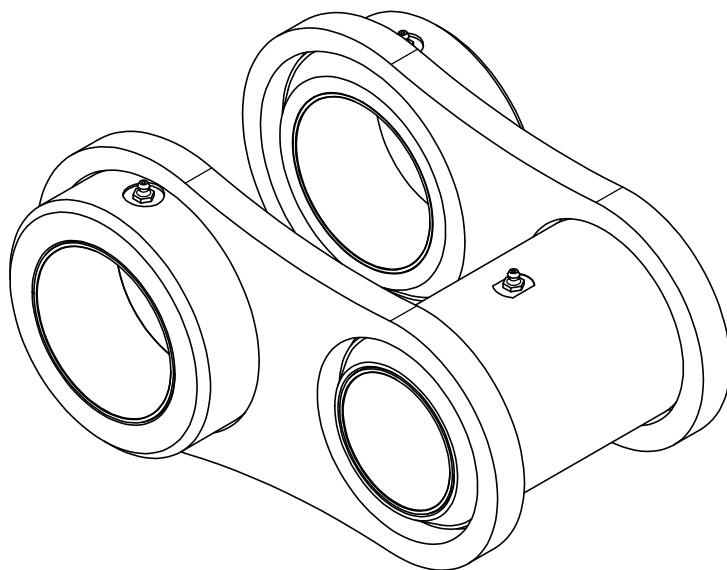
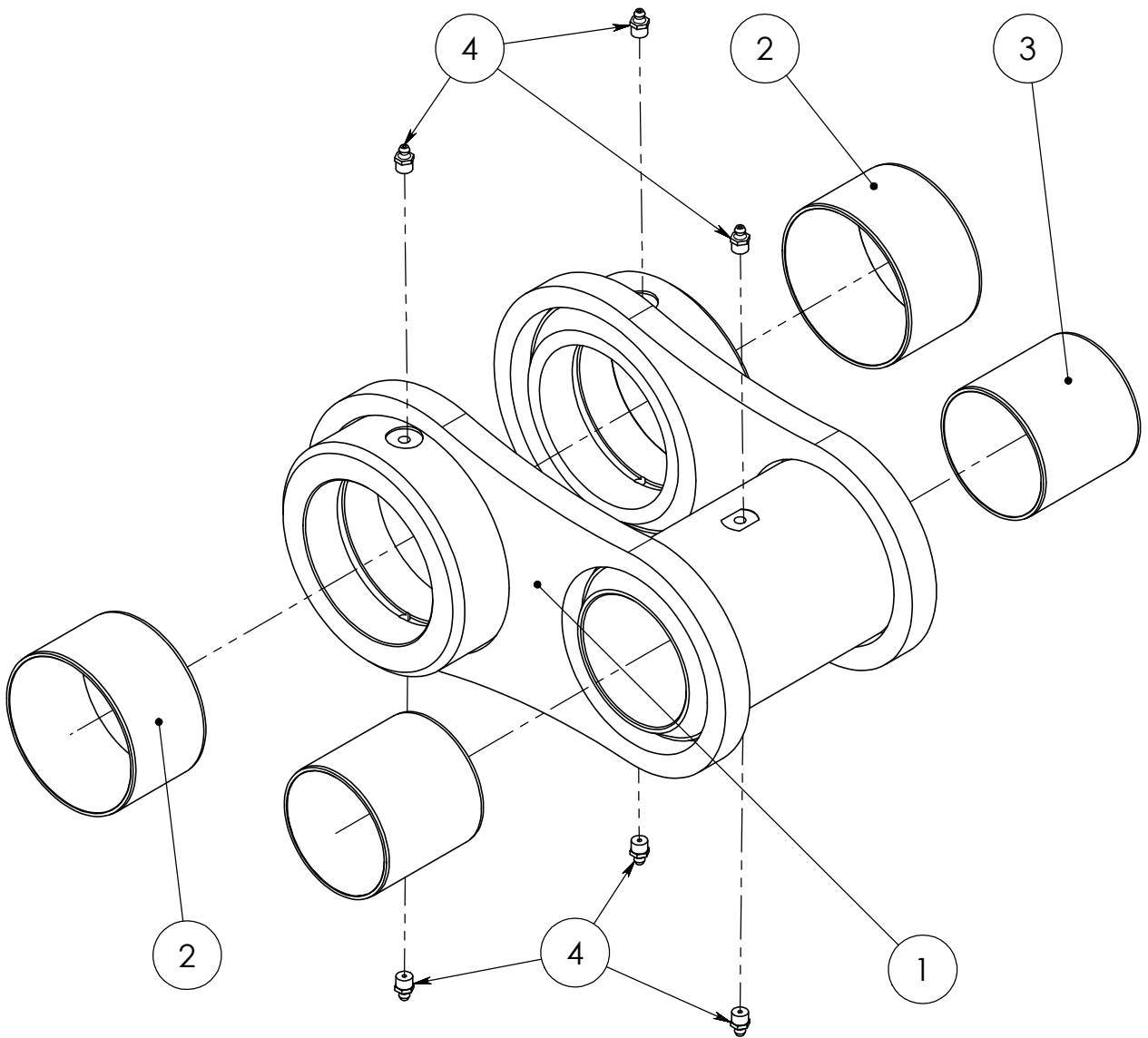
90023542

# SYLINTERI



Item code	90023542	Revision	-
Title	CYLINDER	Date	27.04.2010
Specification	160/100X855 VAR		

Pos	Item code	Title	Specification	Pc	Nto Weight
1	28763001	CYLINDER	160/100X855	1	164.8
2	90023536	HYDRAULIC PIPE	1 KOK	1	0.88
3	90023538	HYDRAULIC PIPE	2 KOK	1	1.9
4	90013168	FASTENER	4X30-112	2	0.1
5	90012248	FASTENER	4X30-152	2	0.14
6	3090918	CONNECTOR	R 3/4" -1 1/16" JIC 26-04001-12-12	2	0.16
7	3110130	SEAL	R-12 R 3/4"	2	0.01
8	3010250	SCREW	M8X40 8.8 ZN DIN 912	4	0
9	3020001	NUT	M8 ZN DIN 985	4	0.01

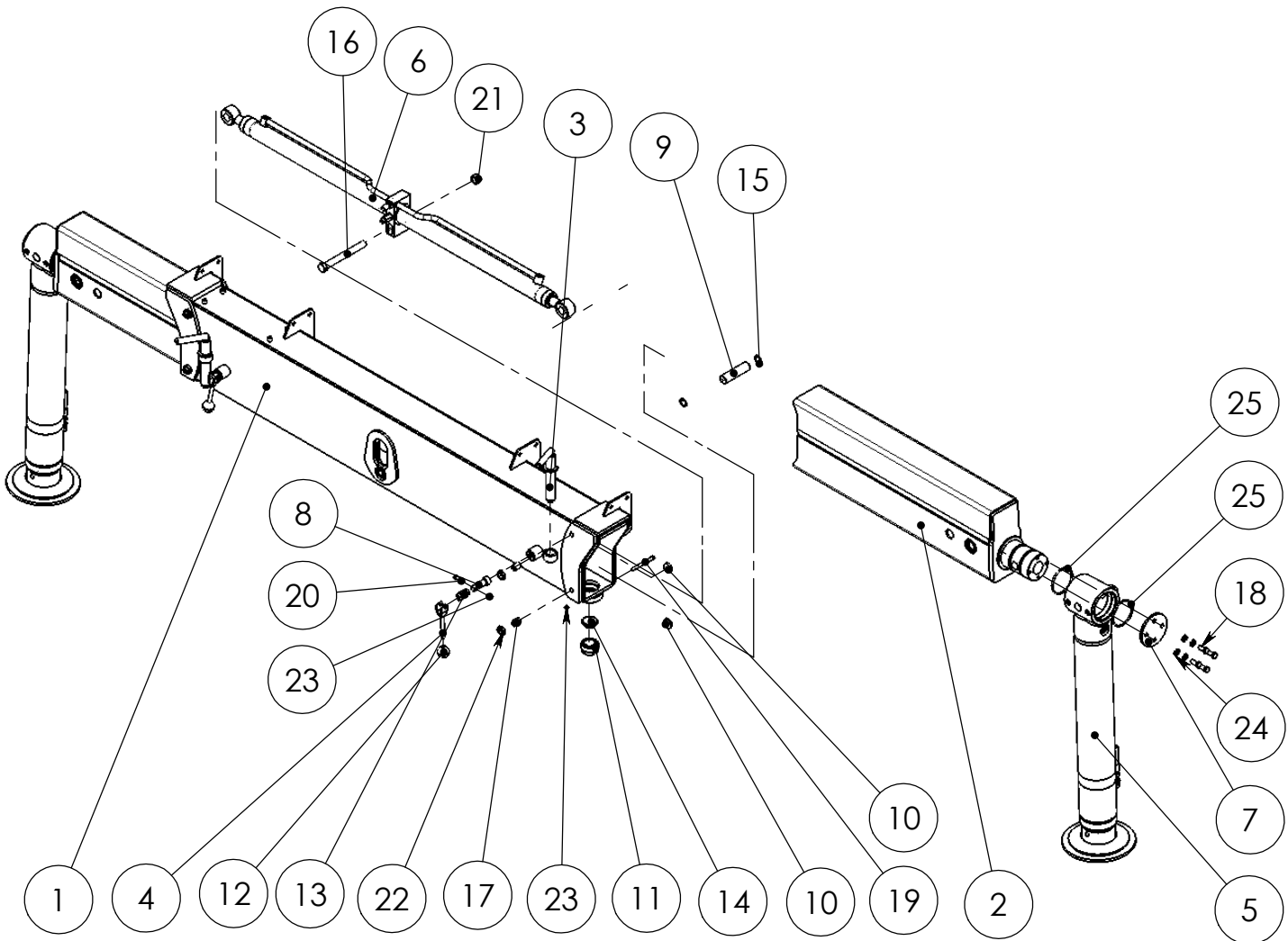


Item code	90020495	Revision	-
Title	DRAW BAR	Date	16.02.2005
Specification	VAR		

Pos	Item code	Title	Specification	Pc	Nto Weight
1	90020437	DRAW BAR	KONEISTUS	1	19.71
2	3100344	BEARING	WB 802 10060	2	0.38
3	3100187	BEARING	WB 802 8080	2	0.41
4	3050020	GREASE NIPPLE	R 1/8" ZN	6	0.01

90020806

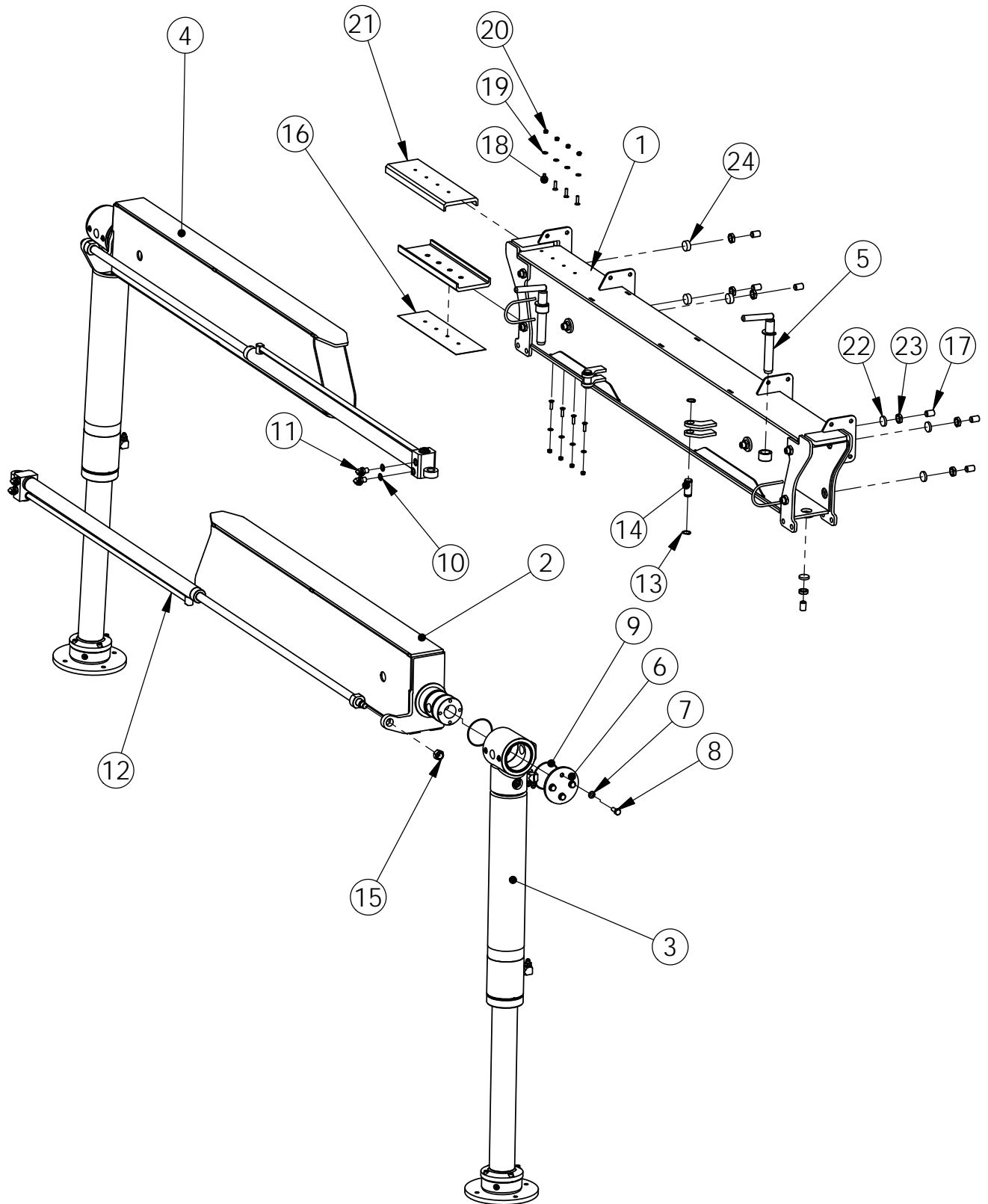
# TUKIJALKA



Item code	90020806	Revision	-
Title	STABILIZER	Date	09.02.2006
Specification	JALKAVAR		

Pos	Item code	Title	Specification	Pc	Nto Weight
1	90020785	BEAM	HITS	1	157.18
2	90020793	ARM	HITS	2	52.23
3	90011249	AXLE	HITS	2	1.43
4	90012844	LEVER	10-120	2	0.16
5	28773001	CYLINDER	110/90X600	2	451.55
6	28812001	CYLINDER	50/30X2X600	1	8.11
7	90011250	FLANGE		2	0.73
8	90012843	SPINDLE	28/18-76	2	0.2
9	90020802	AXLE	30-122	2	0.68
10	90020807	GLIDE PAD		4	0.01
11	90016090	FASTENER		2	0.35
12	3120453	KNOB		2	0.25
13	3300533	SPRING	18/45/7.6/6.88 -1643 SF-TF3	2	0.02
14	90011001	GLIDE PAD	D=55-19/7	2	0.03
15	3060019	SNAP RING	30 DIN 472	4	0
16	3010672	SCREW	M20X200 8.8 ZN DIN 931	1	0
17	3010312	SCREW	M20X30 10.9 ZN DIN 913	4	0
18	3010048	SCREW	M12X30 8.8 ZN DIN 933	8	0
19	3010447	SCREW	M8X100 8.8 ZN DIN 931	2	0
20	3010441	SCREW	M8X40 8.8 ZN DIN 931	2	0
21	3020009	NUT	M20 ZN DIN 985	1	0.07
22	3020014	NUT	M20 ZN DIN 936	4	0
23	3020001	NUT	M8 ZN DIN 985	4	0.01
24	3030096	WASHER	M12 ZN DIN 125	8	0.01
25	3110934	SEAL	O 94,5X3 70 SHORE	4	0.02

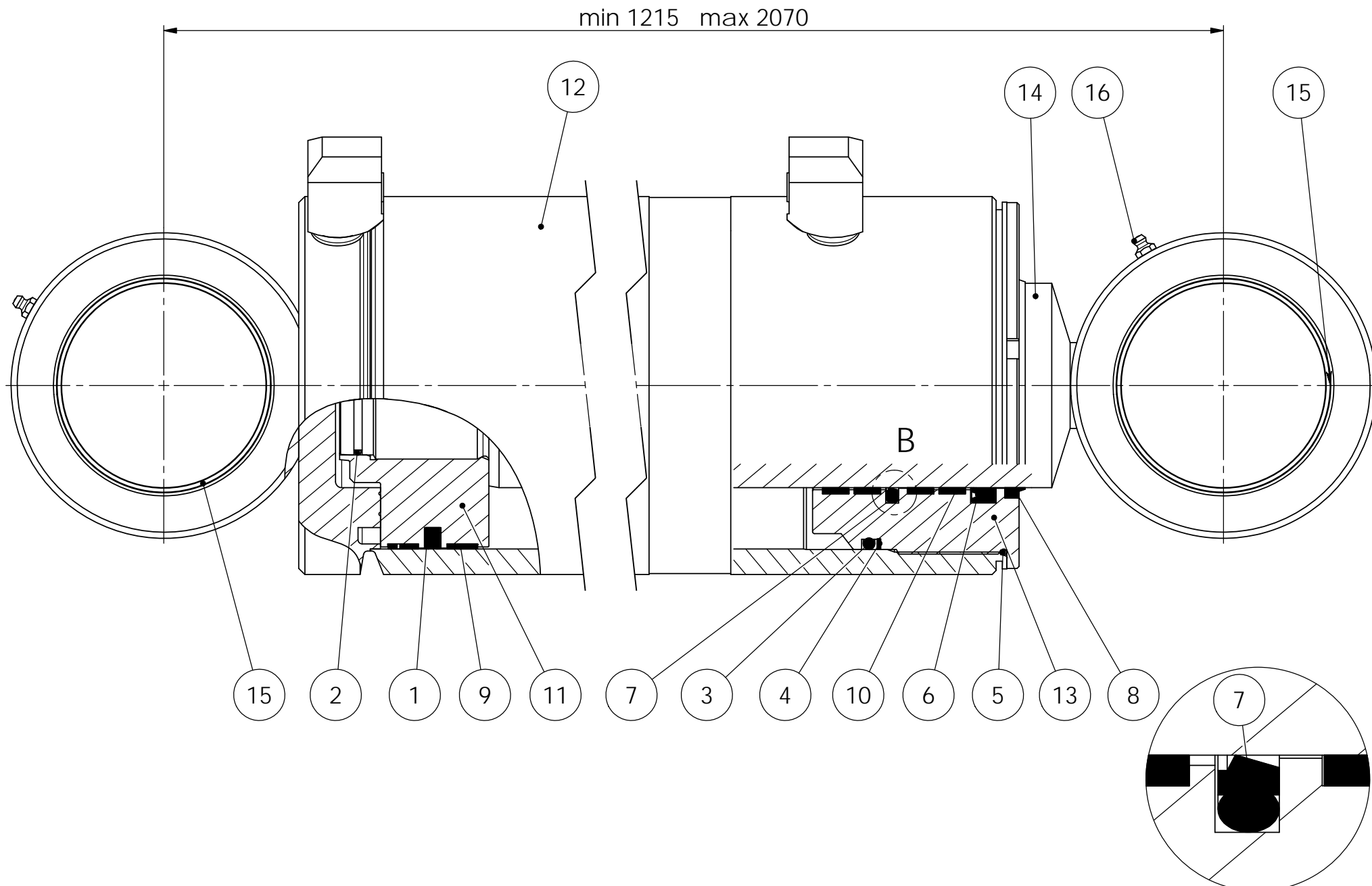
90025970  
2124L STABILIZER L=4770





Item code	90025970	Revision	-
Title	STABILIZER	Date	21.12.2012
Specification	L=4770		

Pos	Item code	Title	Specification	Pc	Nto Weight
1	90026224	BEAM	TUKIJALKAPALKKI HITS	1	131.04
2	90025986	SPREADING BEAM	ULOMPI	1	76.53
3	28879001	CYLINDER	110/90X600	2	82.58
4	90025992	SPREADING BEAM	SISEMPI	1	70.6
5	90011249	AXLE	HITS	2	1.43
6	90011250	FLANGE	135 - 8	2	0.86
7	3030096	WASHER	M12 ZN DIN 125	8	0.01
8	3010048	HEW SCREW	M12X30 8.8 ZN DIN 933	8	0
9	3110934	SEAL	O 94,5X3 70 SHORE	4	0.02
10	3110040	USIT-SEAL	R-06 R 3/8"	4	0
11	3091358	CONNECTOR	6310-06-06	4	0.09
12	28958001	SPREADING CYLINDER	40/28X1100	2	17.39
13	3060007	SNAP RING	25 ZN DIN 471	4	0
14	90013830	AXLE	25-60	2	0.23
15	3020009	NUT	M20 ZN DIN 985	2	0.07
16	90026292	SHIM	1X122X420	1	0.4
17	3010312	ALLEN SCREW	M20X30 10.9 ZN DIN 913	5	0
18	3010176	ALLEN SCREW	M8X30 10.9 ZN DIN 7991	8	0
19	3030025	WASHER	M8 ZN DIN 126	8	0
20	3020001	NUT	M8 ZN DIN 985	8	0.01
21	90025991	GLIDE PAD	30X138X420	2	0.94
22	90026287	GLIDE PAD	35-7	2	0.01
23	3020014	NUT	M20 ZN DIN 936	5	0
24	90026231	GLIDE PAD	35-14	6	0.02



28762001

NOSTO-  
SYLINTERI

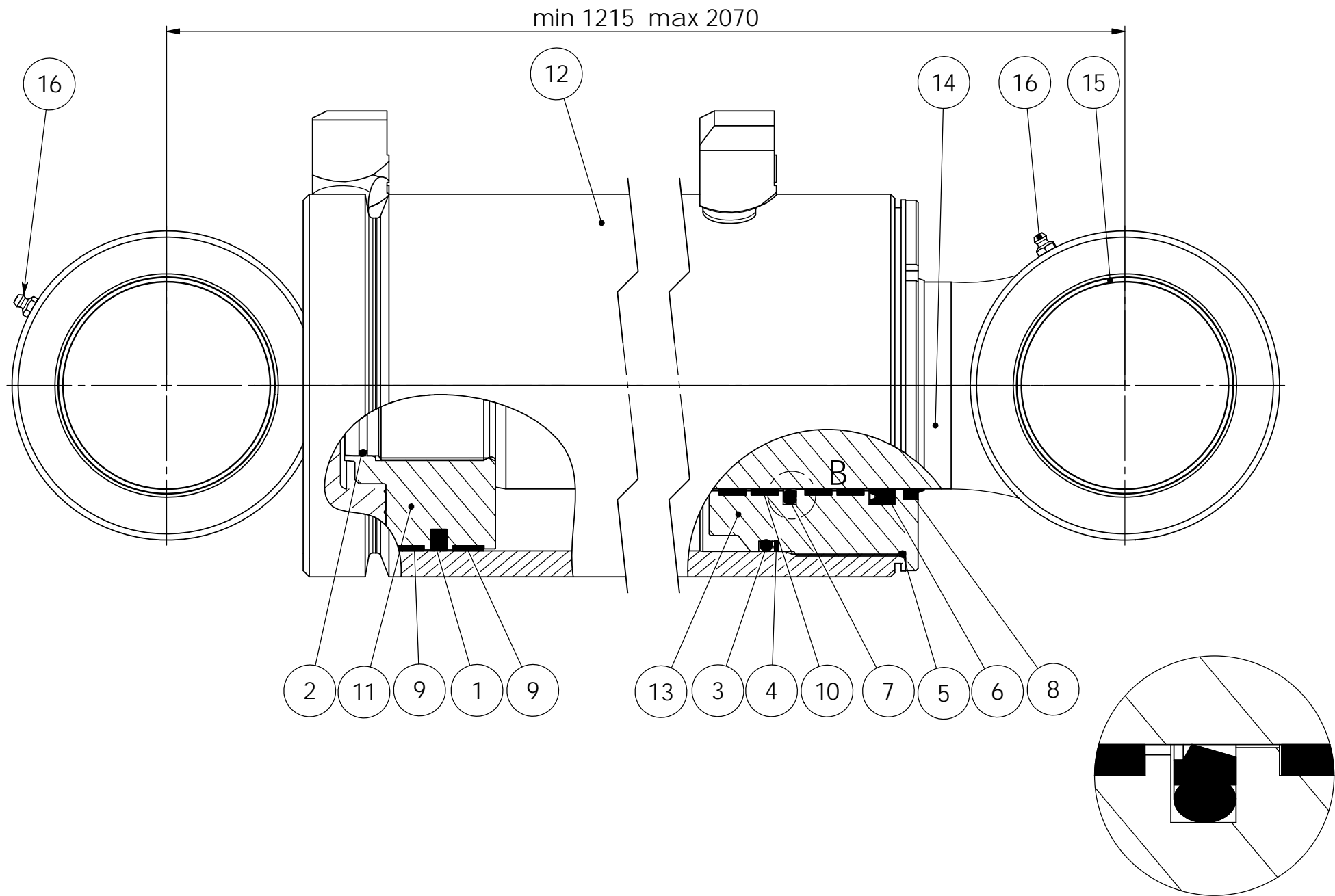
VARAOSAT \ RESERVDELAR \ SPARE PARTS \ ERSATZTEIL



## SPARE PART LIST

Item code	28762001	Revision	-
Title	SYLINTERI	Date	15.02.2005
Specification	160/100X855		

Pos	Item code	Title	Specification	Dimensions	Pc	Amount	Unit	Nto Weight
1	3110790	MÄNNÄNTIIVISTE KOLV TÄTNING PISTON SEAL KOLBENDICHTUNG	OK 160/139X8		1			0.3
2	3110250	O-RENGAS O-RING O-RING O-RING	62.2X3 90 SHORE		1			0.01
3	3110791	O-RENGAS O-RING O-RING O-RING	149.2X5.7 70 SHORE		1			0.1
4	3110792	TUKIRENGAS STÖDRING SUPPORTING RING STÜTZRING	TR 160/150X1.7 PU		1			0
5	3110454	O-RENGAS O-RING O-RING O-RING	160X3.0 90 SHORE		1			0.03
6	3110726	VARRENTIIVISTE KOLVSTÄNGSTÄTNING ROD SEAL DICHTUNG FÜR KOLBENSTANGE	NI 300 100/115X12		1			0.2
7	3110885	VARRENTIIVISTE KOLVSTÄNGSTÄTNING ROD SEAL DICHTUNG FÜR KOLBENSTANGE	OMS-MR 100/115.1X6		1			0.1
8	3110414	LUOVUTIN AVSTRYKARE WIPER SEAL ABSTREIFER	GA 100/110X7/10		1			0.1
9	3110865	MÄNNÄNOHJAIN KOLV STYRNING PISTON GUIDE KOLBENFÜHRUNG	160/155X14.8		2			0.14
10	3110866	OHJAIN STYRNING GUIDANCE STEUERUNG	100/106X12.8		4			0.1
11	28762201	MÄNTÄ KOLV PISTON KOLBEN	160	L=77	1			6.49
12	28762101	SYLINTERIPUTKI CYLINDERRÖR CYLINDER BARREL ZYLINDERROHR	160/100-855		1			73.82
13	28762202	OHJAIN STYRNING GUIDANCE STEUERUNG	160/100	L=105	1			8.89
14	28762204	MÄNNÄNVARSI KOLVSTÄNG PISTON ROD KOLBENSTANGE	100-1059		1			77.29
15	3100344	LIUKULAAKERI BUSSNING BUSHING GLEITLAGER	WB 802 10060		4			0.38
16	3050003	RASVANIPPA SMÖRJNIPPEL GREASE NIPPLE SCHMIERNIPPEL	M8X1,25 DIN 71412		4			0
20	3110867	TIIVISTESARJA TÄTNNGSSATS SEAL KIT DICHTUNGSSATZ	160/100		1			



28763001 SYLINTERI

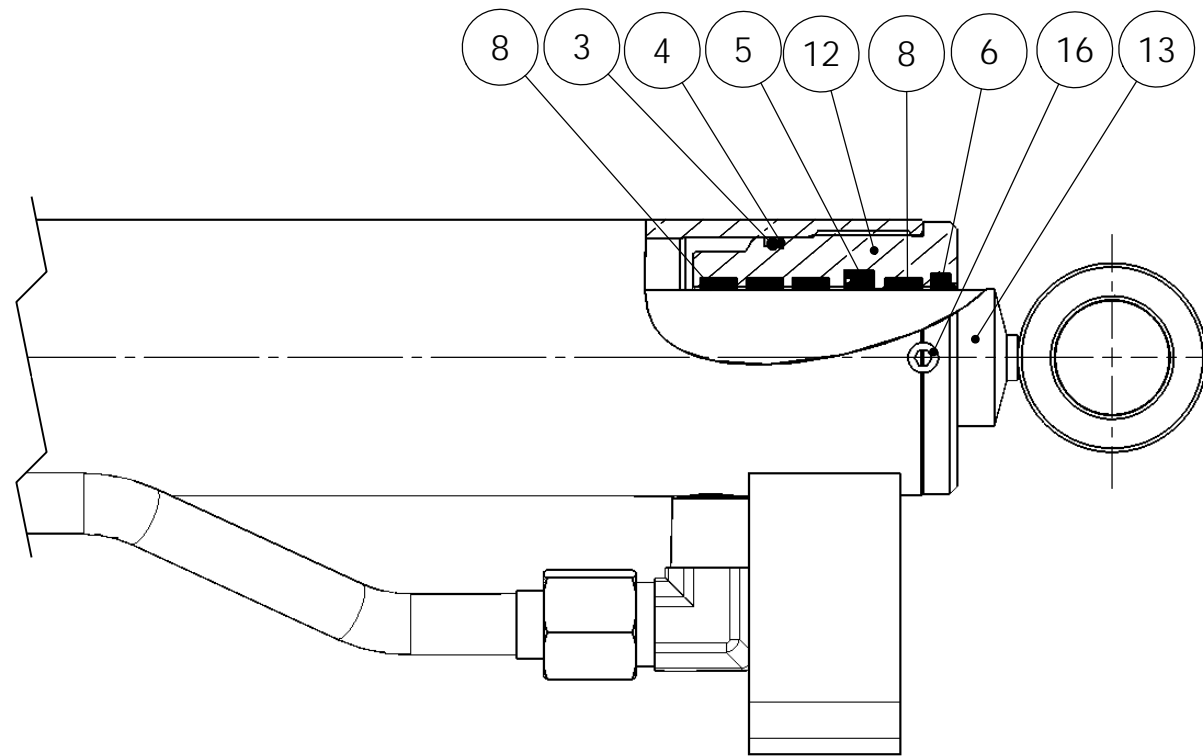
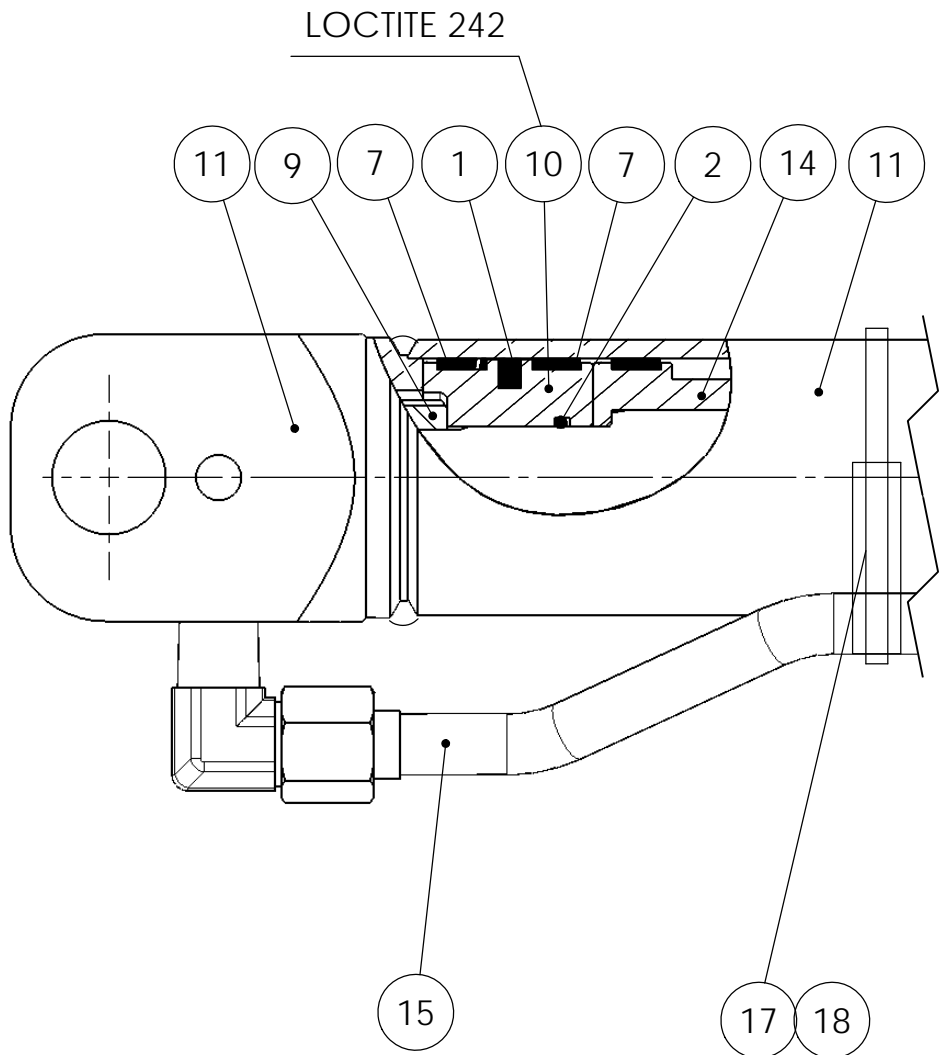
VARAOSAT \ RESERVDELAR \ SPARE PARTS \ ERSATZTEIL



## SPARE PART LIST

Item code	28763001	Revision	-
Title	SYLINTERI	Date	21.02.2005
Specification	160/100X855		

Pos	Item code	Title	Specification	Dimensions	Pc	Amount	Unit	Nto Weight
1	3110790	MÄNNÄNTIIVISTE KOLV TÄTNING PISTON SEAL KOLBENDICHTUNG	OK 160/139X8		1			0.3
2	3110250	O-RENGAS O-RING O-RING O-RING	62.2X3 90 SHORE		1			0.01
3	3110791	O-RENGAS O-RING O-RING O-RING	149.2X5.7 70 SHORE		1			0.1
4	3110792	TUKIRENGAS STÖDRING SUPPORTING RING STÜTZRING	TR 160/150X1.7 PU		1			0
5	3110454	O-RENGAS O-RING O-RING O-RING	160X3.0 90 SHORE		1			0.03
6	3110726	VARRENTIIVISTE KOLVSTÄNGSTÄTNING ROD SEAL DICHTUNG FÜR KOLBENSTANGE	NI 300 100/115X12		1			0.2
7	3110885	VARRENTIIVISTE KOLVSTÄNGSTÄTNING ROD SEAL DICHTUNG FÜR KOLBENSTANGE	OMS-MR 100/115.1X6		1			0.1
8	3110414	LUOVUTIN AVSTRYKARE WIPER SEAL ABSTREIFER	GA 100/110X7/10		1			0.1
9	3110865	MÄNNÄNOHJAIN KOLV STYRNING PISTON GUIDE KOLBENFÜHRUNG	160/155X14.8		2			0.14
10	3110866	OHJAIN STYRNING GUIDANCE STEUERUNG	100/106X12.8		4			0.1
11	28762201	MÄNTÄ KOLV PISTON KOLBEN	160	L=77	1			6.49
12	28763101	SYLINTERIPUTKI CYLINDERRÖR CYLINDER BARREL ZYLINDERROHR	160/100 X 855		1			73.82
13	28762202	OHJAIN STYRNING GUIDANCE STEUERUNG	160/100	L=105	1			8.89
14	28763204	MÄNNÄNVARSI KOLVSTÄNG PISTON ROD KOLBENSTANGE			1			72.54
15	3100344	LIUKULAAKERI BUSSNING BUSHING GLEITLAGER	WB 802 10060		4			0.38
16	3050003	RASVANIPPA SMÖRJNIPPEL GREASE NIPPLE SCHMIERNIPPEL	M8X1,25 DIN 71412		4			0
1-9	3110867	TIIVISTESARJA TÄTNNGSSATS SEAL KIT DICHTUNGSSATZ	160/100		1			



28764001 SYLINTERI

VARAOSAT \ RESERVDELAR \ SPARE PARTS \ ERSATZTEIL

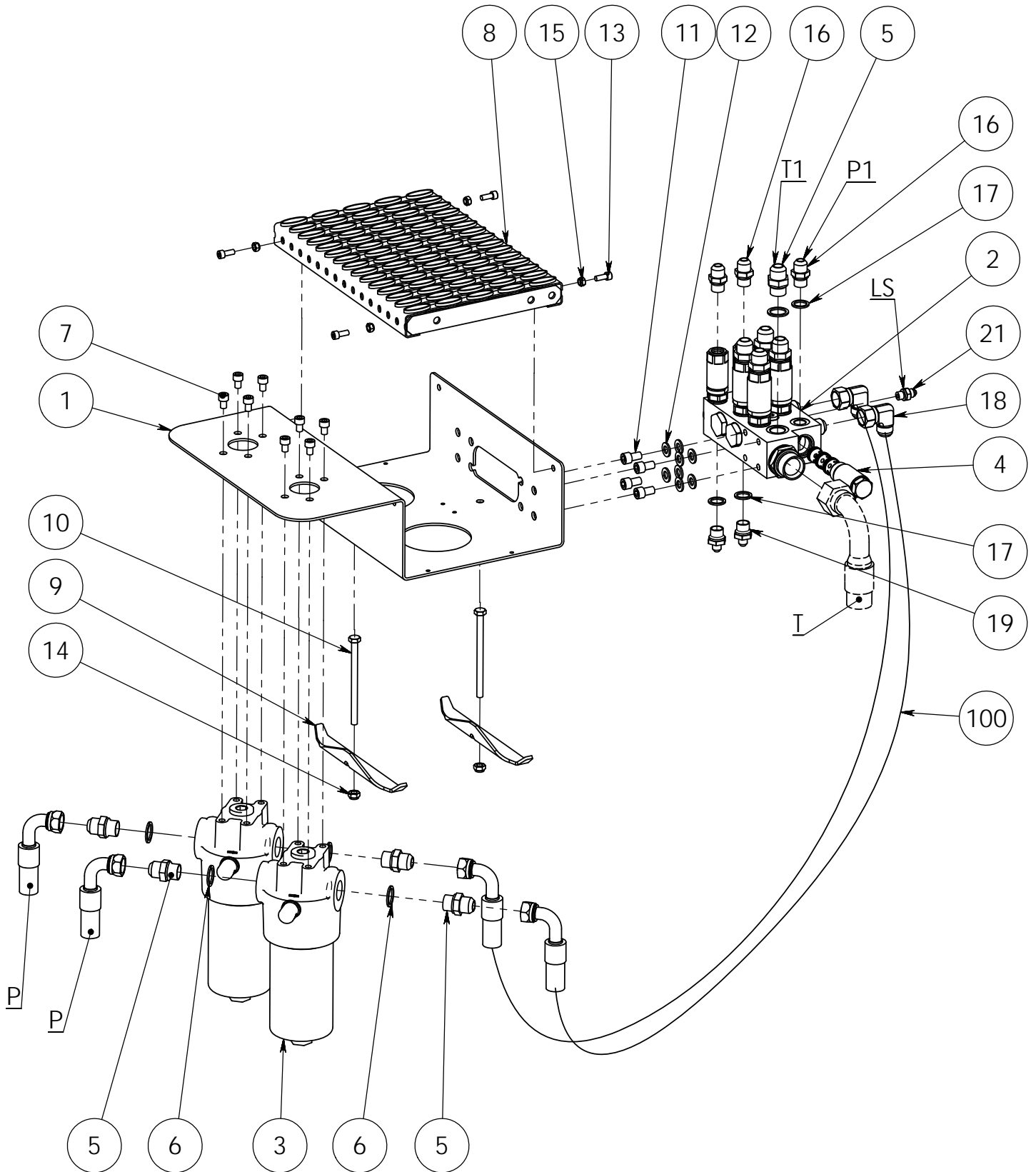
## SPARE PART LIST

Item code	28764001	Revision	-
Title	SYLINTERI	Date	30.01.2006
Specification	63/36X1700		

Pos	Item code	Title	Specification	Dimensions	Pc	Amount	Unit	Nto Weight
1	3110729	MÄNNÄNTIIVISTE KOLV TÄTNING PISTON SEAL KOLBENDICHTUNG	300 63/47,5X6		1			0.06
2	3110003	O-RENGAS O-RING O-RING O-RING	26.2X3 70 SHORE		1			0.01
3	3110719	O-RENGAS O-RING O-RING O-RING	57X3 90 SHORE		1			0.01
4	3110918	TUKIRENGAS STÖDRING SUPPORTING RING STÜTZRING	63/58X1.3 PU		1			0
5	3110005	VARRENTIIVISTE KOLVSTÄNGSTÄTNING ROD SEAL DICHTUNG FÜR KOLBENSTANGE	NI 300 36/46X7		1			0.03
6	3110006	LUOVUTIN AVSTRYKARE WIPER SEAL ABSTREIFER	PW 36		1			0.02
7	3110230	MÄNNÄNOHJAIN KOLV STYRNING PISTON GUIDE KOLBENFÜHRUNG	E/PWR 63/57X13		3			0.06
8	3110871	OHJAIN STYRNING GUIDANCE STEUERUNG	I/PWR 36/42X9.6		4			0.03
9	3020008	MUTTERI MUTTER NUT MUTTER	1" UNF ZN DIN 985		1			0.12
10	28566201	MÄNTÄ KOLV PISTON KOLBEN	63 (SIMKO300)	L=71	1			0.65
11	28764101	SYLINTERIPUTKI CYLINDERRÖR CYLINDER BARREL ZYLINDERROHR			1			19.87
12	28764202	OHJAIN STYRNING GUIDANCE STEUERUNG	63/36	L=72	1			1.02
13	28764204	MÄNNÄNVARSI KOLVSTÄNG PISTON ROD KOLBENSTANGE	63 / 36-1700		1			15.78
14	28764105	HOLKKI HYLSA SLEEVE ACHSHALTER	ISKUNRAJ.	L=67	1			0.67
15	28764401	HYDRAULIPUTKI HYDRAULRÖR HYDRAULIC PIPE HYDRAULIKROHR	L=1803 KOK		1			1.7
16	3010175	KUUSIOKOLORUUVI INSEKSRUV ALLEN SCREW INNENSECHSKANTSCHRAUBE	M8X10 ZN DIN 914		1			0
17	3090928	KIINNITIN FÄSTE FASTENER BEFESTIGUNG			1			
18	3090929	KIRISTIN SPÄNNARE TENSIONER VERSCHLUSS			1			
1-8	3110872	TIIIVISTESARJA TÄTNGSSATS SEAL KIT DICHTUNGSSATZ	63/36		1			

90024931

SUODATIN

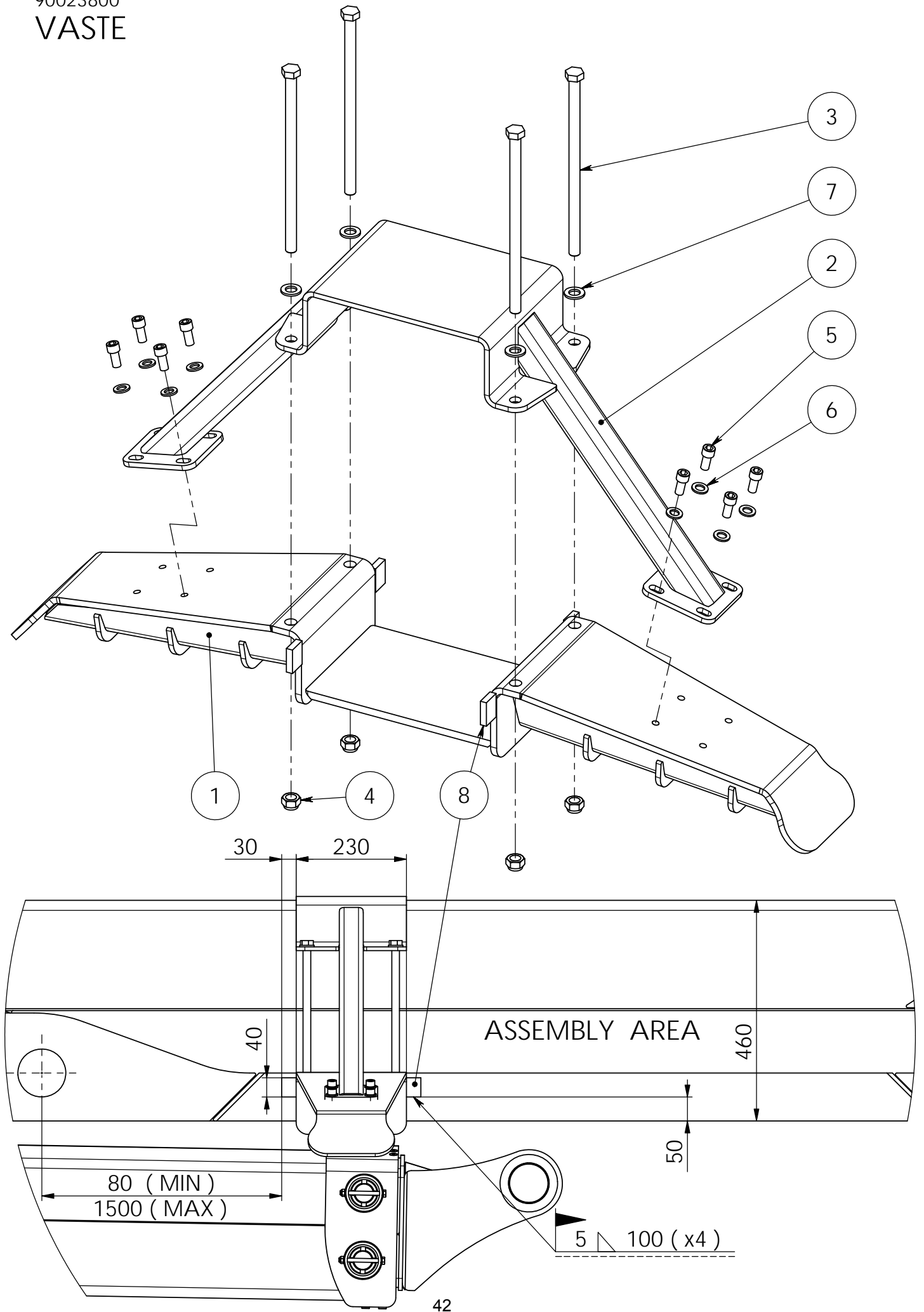




Item code	90024931	Revision	A
Title	FILTER	Date	20.09.2011
Specification	2 CIRCUIT		

Pos	Item code	Title	Specification	Pc	Nto Weight
1	90024930	FASTENER		1	10.14
2	90024414	BLOCK	LEFT	1	14.16
3	3091286	PRESSURE FILTER		2	24.96
4	3121283	CARTRIDGE		1	0.01
5	3090918	CONNECTOR (STRAIGHT)	R 3/4" -1 1/16" JIC 26-04001-12-12	10	0.16
6	3110130	USIT-SEAL	R-12 R 3/4"	6	0.01
7	3010709	ALLEN SCREW	M10X14 8.8 DIN 912	8	0
8	90021971	PLANE		1	3.49
9	90021522	FLAT BAR		2	0.42
10	3010109	HEW SCREW	M10X150 8.8 ZN DIN 933	2	0
11	3010604	ALLEN SCREW	M12X20 8.8 DIN 912	4	0
12	3030096	WASHER	M12 ZN DIN 125	8	0.01
13	3010253	ALLEN SCREW	M8X20 8.8 ZN DIN 912	4	0
14	3020004	NUT	M10 ZN DIN 985	2	0.01
15	3020001	NUT	M8 ZN DIN 985	4	0.01
16	3090917	CONNECTOR (STRAIGHT)	26-040010810 R 1/2" -7/8" JIC	3	0.11
17	3110042	USIT-SEAL	R-08 R 1/2"	3	0.01
18	3091127	CONNECTOR	29-1130-12-12	2	0.27
19	3091282	CONNECTOR (STRAIGHT)	26-040010806 R 1/2" -9/16" JIC	2	0.08
20	3090212	PLUG		2	0.05
21	3090462	CONNECTOR	29-6010-04-06	1	0.04
100	3133270	HYDRAULIC HOSE	A50005-12/712L-12/A50054-12-12S/L=1000 TEX	2	

90023800  
VASTE

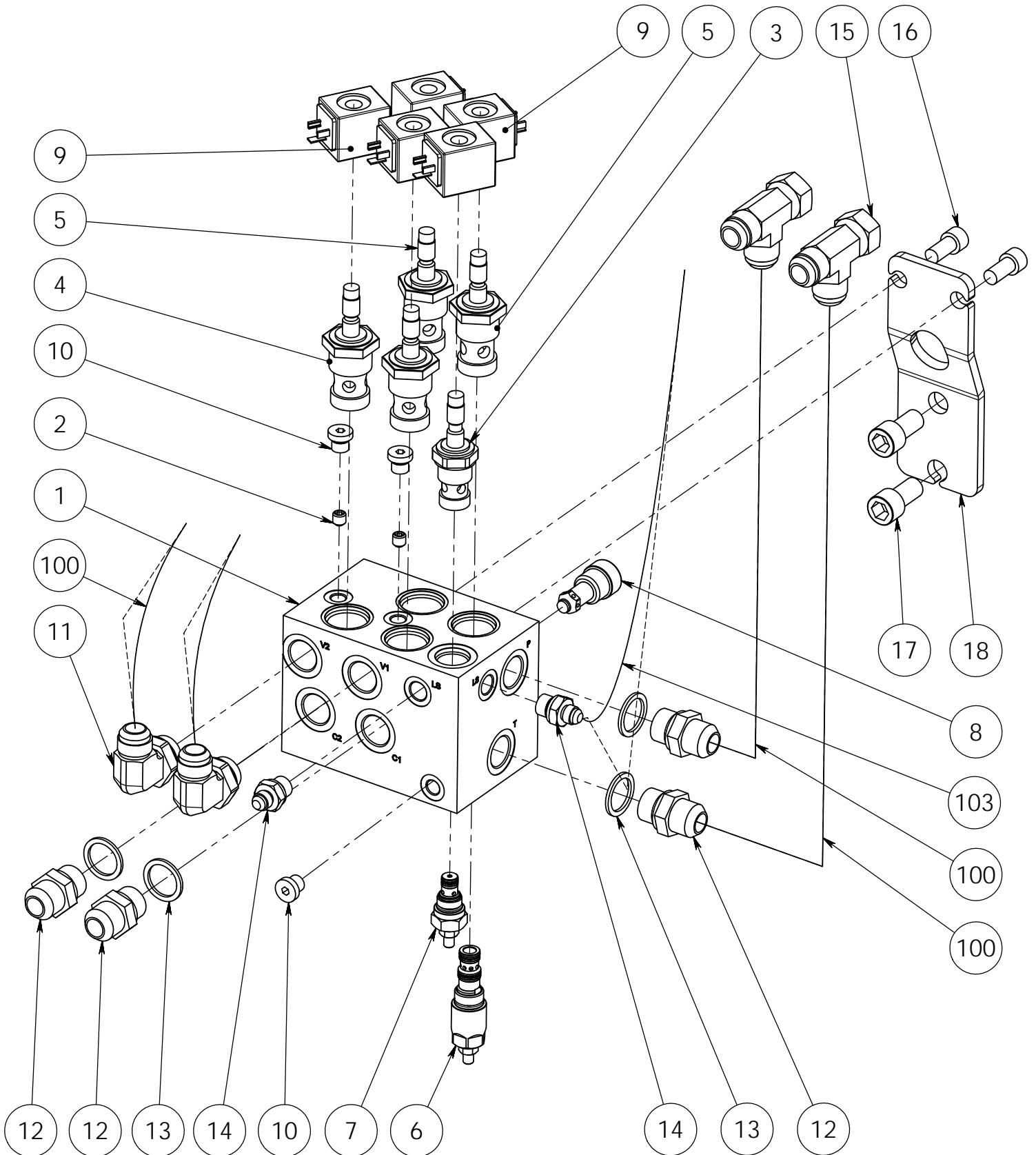


Item code	90023800	Revision	-
Title	STOPPER	Date	29.06.2010
Specification	TUKKIVASTE 2024		

Pos	Item code	Title	Specification	Pc	Nto Weight
1	90023792	STOPPER	TUKKIVASTE	1	41.97
2	90023797	BAND		1	15.67
3	3010927	HEW SCREW	M16X300 8.8 ZN DIN 931	4	0.51
4	3020010	NUT	M16 ZN DIN 985	4	0.03
5	3010239	ALLEN SCREW	M12X25 8.8 ZN DIN 912	8	0
6	3030047	WASHER	M12/13 ZN DIN 126	8	0.01
7	3030006	WASHER	M16/17 ZN DIN 125	4	0.01
8	90024336	FASTENER		4	0.09

90024451

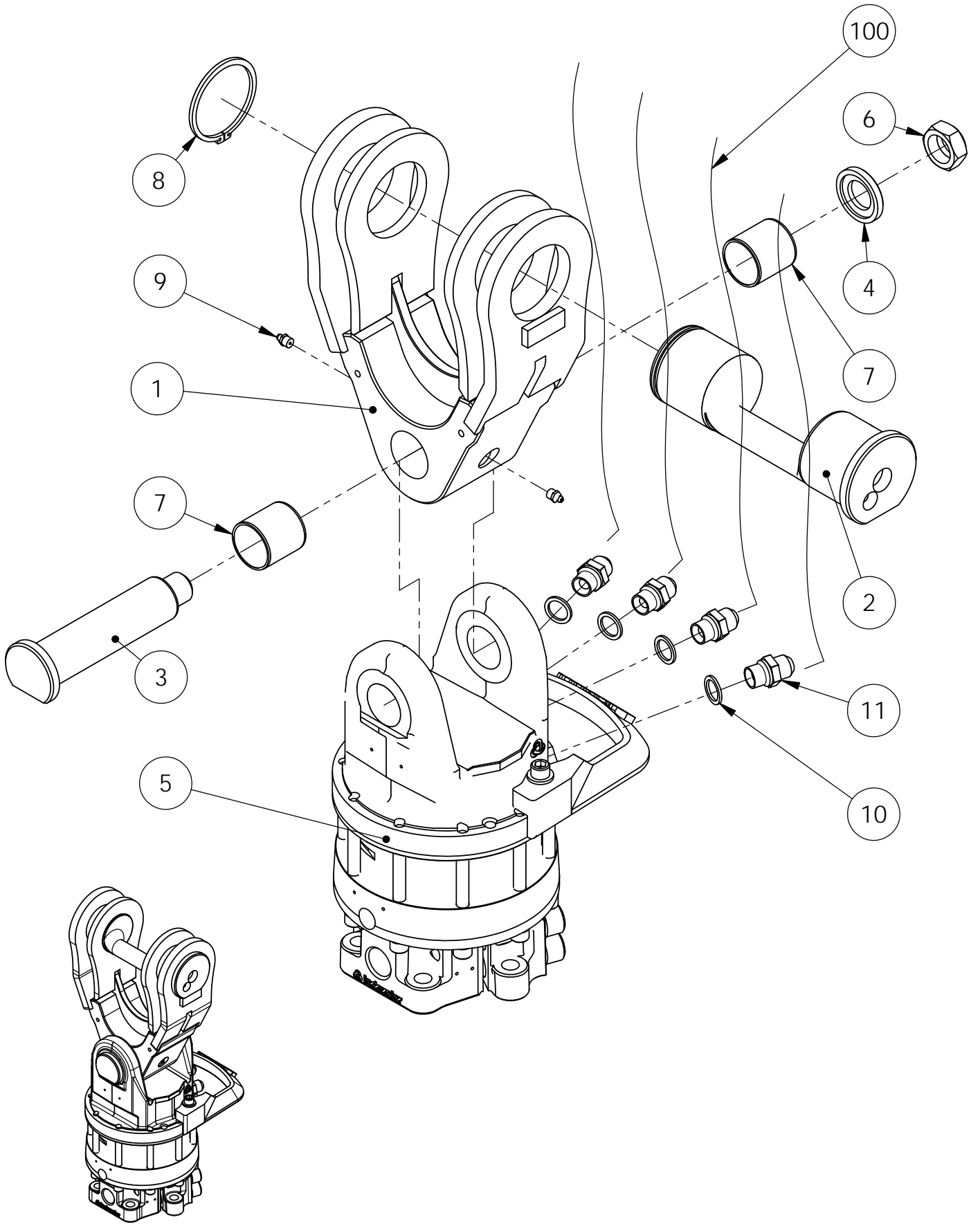
VENTTIILI



Item code	90024451	Revision	A
Title	VALVE	Date	14.04.2011
Specification	PRESSURE INCREASING		

Pos	Item code	Title	Specification	Pc	Nto Weight
1	90024440	BLOCK		1	13.26
2	21510229	RESTRICTOR	M10X10 D=2.5	2	0
3	3121290	CARTRIDGE		1	0.22
4	3121289	CARTRIDGE		2	0.34
5	3120946	VALVE		2	0.34
6	3121294	PRESSURE RELIEF VALVE		1	0
7	3121293	PRESSURE RELIEF VALVE		1	
8	3121292	CARTRIDGE		1	0.15
9	3120499	COIL		5	0.46
10	3090211	PLUG		3	0.02
11	3090341	CONNECTOR (ANGLE)	6310-12-12	2	0.3
12	3090918	CONNECTOR (STRAIGHT)	R 3/4" -1 1/16" JIC 26-04001-12-12	4	0.16
13	3110130	USIT-SEAL	R-12 R 3/4"	4	0.01
14	3090901	CONNECTOR	6010-06-06	2	0.05
15	3091278	CONNECTOR (T)	29-1230121212 JIC	2	0.36
16	3010239	ALLEN SCREW	M12X25 8.8 ZN DIN 912	2	0
17	3010700	ALLEN SCREW	M16X30 8.8 ZN DIN 912	2	0
18	90024463	FASTENER		1	0.83
100	3132988	HYDRAULIC HOSE	A50005-12-12/712L-12/A50054-12-12S/L=1150 TEX	4	
101	3132989	HYDRAULIC HOSE	A50005-06-06/241T-06/A50055-06-06/L=1150 TEX	1	
102	3121384	CARTRIDGE		2	

90024599





## SPARE PART LIST

Item code	90024599	Revision	-
Title	LINK	Date	15.06.2011
Specification	ASSEMBLY		

Pos	Item code	Title	Specification	Pc	Nto Weight
1	90023713	LINK	HITS+KON	1	19.2
2	90023699	AXLE	80-273	1	6.62
3	90014423	AXLE	45-211	1	2.53
4	90013106	WASHER	56/31-8	1	0.08
5	3160325	ROTATOR		1	86.13
6	3020144	NUT	M30X1.5 ZN NYLOC	1	0.1
7	3100260	BUSHING	WB 802 4550	2	0.15
8	3060094	SNAP RING	80X4 DIN471	1	0
9	3050020	GREASE NIPPLE	R 1/8" ZN	2	0.01
10	3110042	SEAL	R-08 R 1/2"	4	0.01
11	3090917	CONNECTOR (STRAIGHT)	26-040010810 R 1/2" -7/8" JIC	4	0.11
100	3132921	HYDRAULIC HOSE	A5005-10-08/241T-08/A50054-10-08/L=650	4	